

Reference Manual

DOC. REV. 1/11/2012

VL-EPMs-21 (Ocelot)

Intel Atom-based SBC with
Ethernet, Video, SUMIT, and
PC/104 interface



VERSALOGIC
CORPORATION



WWW.VERSALOGIC.COM

4211 West 11th Ave.
Eugene, OR 97402
(541) 485-8575
Fax (541) 485-5712

Copyright © 2012 VersaLogic Corp. All rights reserved.

Notice:

Although every effort has been made to ensure this document is error-free, VersaLogic makes no representations or warranties with respect to this product and specifically disclaims any implied warranties of merchantability or fitness for any particular purpose.

VersaLogic reserves the right to revise this product and associated documentation at any time without obligation to notify anyone of such changes.

PC/104 and the PC/104 logo are trademarks of the PC/104 Consortium.

The SUMIT name and logo are trademarks of the Small Form Factor Special Interest Group.

Product Release Notes

Rev 1.0 Release

Initial commercial release.

Support

The VL-EPMs-21 support page, at <http://www.versalogic.com/private/ocelotsupport.asp>, contains additional information and resources for this product including:

- Reference Manual (PDF format)
- Operating system information and software drivers
- Data sheets and manufacturers' links for chips used in this product
- Photograph of the circuit board
- BIOS information and upgrades
- Utility routines and benchmark software

This is a private page for VL-EPMs-21 users that can be accessed only by entering this address directly. It cannot be reached from the VersaLogic homepage.

The VersaTech KnowledgeBase is an invaluable resource for resolving technical issues with your VersaLogic product.

[**VersaTech KnowledgeBase**](#)

Contents

Introduction	1
Description.....	1
Features and Construction	1
Technical Specifications	2
VL-EPMs-21 Block Diagram	3
RoHS Compliance	4
About RoHS.....	4
Warnings.....	4
Electrostatic Discharge	4
Lithium Battery.....	4
Handling Care.....	5
Technical Support.....	5
Repair Service.....	6
Configuration and Setup	7
Initial Configuration	7
Basic Setup	7
CMOS Setup.....	10
Operating System Installation.....	16
Physical Details.....	17
Dimensions and Mounting.....	17
VL-EPMs-21 Dimensions.....	17
VL-CBR-5012 Dimensions	18
Hardware Assembly.....	19
Stack Arrangement Example	19
External Connectors.....	20
VL-EPMs-21 Connector Locations – Top.....	20
VL-EPMs-21 Connector Locations – Bottom	21
VL-EPMs-21 Connector Functions and Interface Cables.....	22
Connector Locations – VL-CBR-5012	23
VL-CBR-5012 Connector Functions	23
Jumper Blocks.....	24
Jumpers As-Shipped Configuration.....	24
Jumper Summary	25
System Features	26
Power Supply.....	26
Power Connectors.....	26
Power Requirements	27
Power Cycling	27
SUMIT +5V Standby Power.....	27
Lithium Battery.....	27
CPU.....	27

System RAM.....	28
CMOS RAM.....	28
Resetting CMOS Setup to Factory Defaults.....	28
Clearing the Real-Time Clock.....	28
CMOS Setup Defaults.....	28
Default CMOS RAM Setup Values.....	29
Real Time Clock.....	29
Setting the Clock.....	29
ACPI Power Management.....	29
S3 Sleep State.....	29
Setup.....	29
Entering Standby Mode.....	30
Wakeup.....	30
Power and Reset Button Functionality.....	30
Watchdog Timer.....	31
Interfaces and Connectors.....	32
SUMIT Connectors (J1-J2).....	32
Ethernet Interface (J3).....	34
Ethernet Connector.....	34
Ethernet Status LEDs.....	34
Video Interface (J4 and J6).....	35
Display Control.....	35
Configuration.....	35
LVDS Flat Panel Display Connector.....	36
Compatible LVDS Panel Displays.....	37
VGA Output.....	37
Console Redirection.....	38
IDE / PATA Interface (J5).....	39
Loading Software onto a Disk On Module Device.....	40
Main I/O Connector (J7).....	41
Serial Ports.....	42
COM Port Configuration.....	42
Serial Connector Pin Functions.....	43
USB Interface.....	44
Programmable LED.....	44
Internal Speaker.....	44
Pushbutton Reset.....	44
Audio.....	45
PC/104 (ISA) Expansion Bus (J9-J10).....	46
PC/104 I/O Cycle Support.....	46
PC/104 Memory Cycle Support.....	47
IRQ Support.....	47
DMA and Bus Master Support.....	47
SPX Expansion Bus (J13).....	48
VersaLogic SPX Expansion Modules.....	48
SPI Registers.....	49
System Resources and Maps.....	52
Memory Map.....	52

I/O Map.....	52
Interrupt Configuration	54
VersaLogic Registers	55
PLED and Product ID Register	55
Revision and Type Register	56
GPI Jumper Register	57
Watchdog Timer Register	58
PC/104 I/O Block Enable Registers.....	59
PC/104 Interrupt Request Enable Registers.....	61
Appendix A – References	63

Description

FEATURES AND CONSTRUCTION

The VL-EPMs-21 is a feature-packed single board computer (SBC) designed for OEM control projects requiring fast processing and designed-in reliability and longevity (product lifespan). Its features include:

- Intel Atom Processor Z530P, 1.6 GHz 533 MT/s FSB (standard temperature); Z520PT, 1.33 GHz, 533 MT/s FSB (extended temperature)
- Up to 2 GB DDR2 memory for standard temperature product, up to 1 GB for extended temperature product, one SO-DIMM
- PATA Disk on Module option, plugs directly into IDE connector
- Intel 82574IT-based Ethernet interface, autodetect 10BaseT / 100BaseTX / 1000BaseT
- LVDS flat panel display support
- SUMIT-AB expansion, supports three x1 PCIe lanes, four USB, LPC, SPI, and SMBus
- PC/104 (ISA) expansion
- IDE controller (ATA-6, UDMA66/100), one channel, up to two devices
- Three additional USB 2.0 ports (one client and two host) for keyboard, mouse, and other devices on the VL-CBR-5012 breakout board
- TVS devices for ESD protection
- Intel High Definition Audio (HDA) compatible
- SMSC hardware monitor
- Four RS-232/422/485 COM ports, 460 Kbps
- PC/104 standard 3.55" x 3.78" footprint
- Field upgradeable BIOS with OEM enhancements
- ACPI 2.0 compatible
- Customization available

The VL-EPMs-21 is a SUMIT-enabled single board computer with an Intel Z5xx Atom XL processor. The board is compatible with popular operating systems such as Windows, Windows Embedded, Linux, VxWorks, and QNX.

The VL-EPMs-21 features high reliability design and construction, including voltage sensing reset circuits and self-resetting fuses on the +5V and +3.3V supplies to the user I/O connectors.

VL-EPMs-21 boards are subjected to 100% functional testing and are backed by a limited two-year warranty. Careful parts sourcing and US-based technical support ensure the highest possible quality, reliability, service, and product longevity for this exceptional SBC.

The VL-EPMs-21 is equipped with a multifunction utility cable (breakout board) that provides standard I/O connectors, including four COM ports, two USB host ports, one USB client port, and audio jacks. I/O expansion is available through the high-speed SUMIT-AB (PCIe, USB, LPC, SPI, and SMBus), SPX, and PC/104 (ISA) connectors.

Technical Specifications

Specifications are typical at 25°C with +5V supply unless otherwise noted.

Board Size:

3.55" x 3.775" (PC/104 standard)

Storage Temperature:

-40° to +85°C

Operating Temperature:

VL-EPMs-21a, g: 0° to +60°C free air, no airflow
VL-EPMs-21b, h: -40° to +85°C free air (150 LFM from +60° to +85°C)

Power Requirements: (with 2 GB RAM, keyboard, and mouse running Windows XP)

+5V ± 5%
VL-EPMs-21a, g: 1.5A (7.5W) typ./0.2A (1W) S3
VL-EPMs-21b, h: 1.3A (6.5W) typ./0.2A (1W) S3
+3.3V or ±12V may be required by some expansion modules

System Reset:

Watchdog timeout (warm/cold reset)
Pushbutton reset

DRAM:

One SO-DIMM socket, 256 MB to 2 GB for standard temperature product, up to 1 GB for extended temperature product, DDR2, eight chips max. JEDEC raw card types A and C SO-DIMMs. Use VL-MM8 approved modules.

Video Interface:

Up to 1280 x 1024 (24 bits) @ 85 Hz
LVDS output for TFT FPDs
VGA output with VL-CBR-2010/12 cable and VL-CBR-2014 adapter card

IDE Interface:

One channel, 44-pin, 2 mm connector. Supports up to and including ATA-6, UDMA66/100 interface
Supports two Parallel ATA IDE devices (hard drive, CD-ROM, CF, etc.)

Flash Storage:

44-pin PATA Disk on Module. Shares IDE channel, master or slave

Ethernet Interface:

Intel 82574IT-based 10BaseT / 100BaseTX / 1000BaseT Ethernet controller

COM1-4 Interface:

RS-232/422/485, 16C550 compatible, 460 Kbps max., 4-wire RS-232 (only CTS and RTS handshaking)

USB:

Three USB 2.0/1.1 ports (one client and two host ports on I/O connector). Four additional USB channels available through SUMIT interface with the appropriate adapter board. Client port can be configured as host in CMOS Setup.

Audio:

Intel High Definition Audio compatible, stereo line in/out

SPX:

Supports four external SPI chips of user design or any SPX series expansion board

ACPI:

ACPI 2.0 compatible

BIOS:

General Software Embedded BIOS© 2000 with OEM enhancements.
Field-upgradeable with Flash BIOS Update Utility.

Bus Speed:

CPU FSB: 533 MT/s
PCI Express: 2.5 Gbps
LPC: 33.33 MHz
PC/104 (ISA): 8.33 MHz

Compatibility:

PC/104 – Partial compliance, see PC/104 (ISA) Expansion Bus (J9-J10) for limitations

Weight: (no memory installed)

VL-EPMs-21g – 0.227 lbs (0.103 kg)
VL-EPMs-21h – 0.247 lbs (0.112 kg)

SUMIT Resources		
Form Factor: SUMIT-104		
	SUMIT A	SUMIT B
PCIe x1	1	2
PCIe x4		–
USB	4	
ExpressCard	–	
LPC	✓	
SPI / uWire	SPI	
SMBus/ I ² C	SMBus	
+12V	✓	
+5V	✓	✓
+5Vsb	✓	✓
+3.3V	✓	✓

Specifications are subject to change without notification.

VL-EPMs-21 Block Diagram

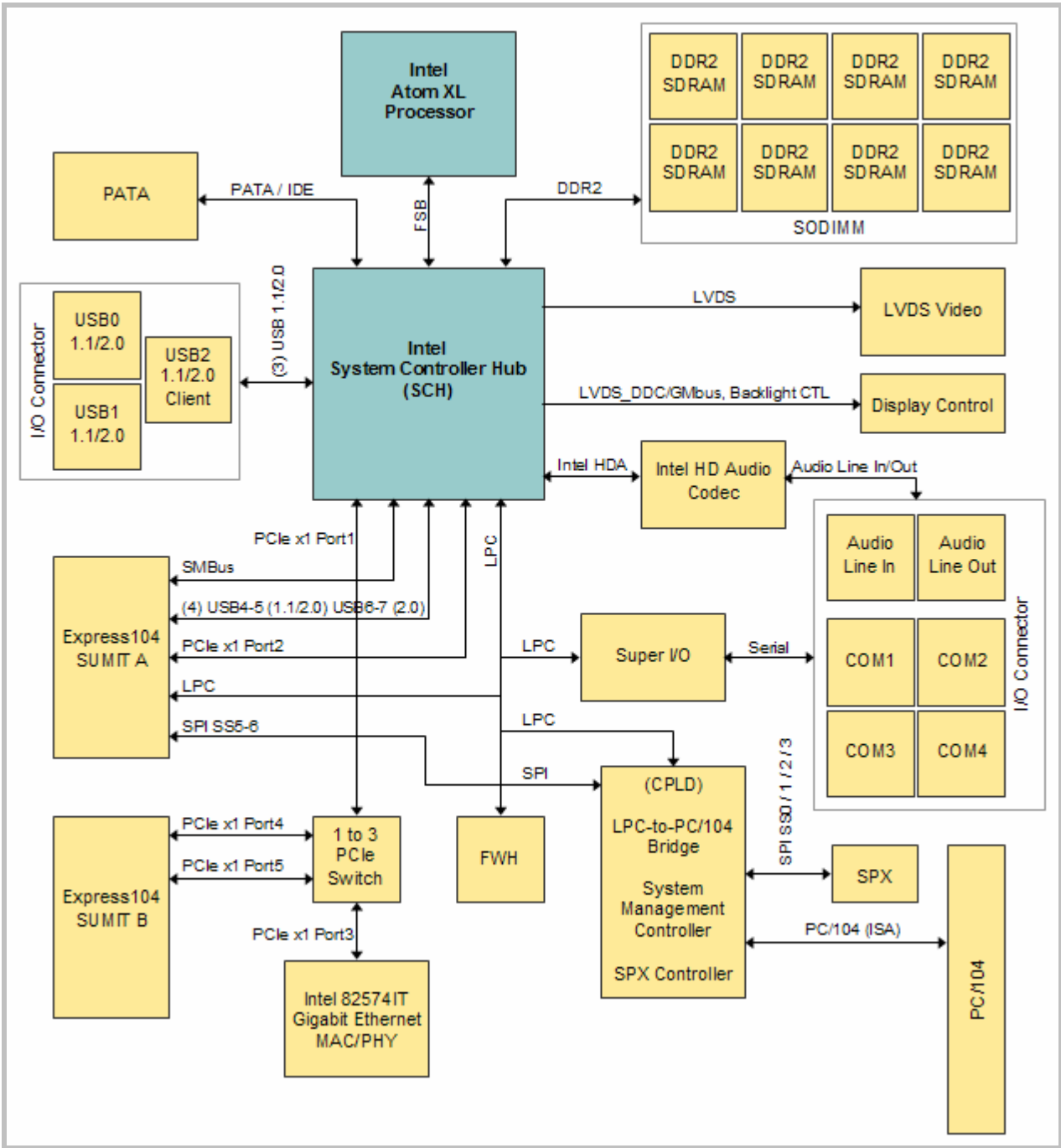


Figure 1. System Block Diagram

RoHS Compliance

The VL-EPMs-21 is RoHS-compliant.

ABOUT ROHS

In 2003, the European Union issued Directive 2002/95/EC regarding the Restriction of the use of certain Hazardous Substances (RoHS) in electrical and electronic equipment.

The RoHS directive requires producers of electrical and electronic equipment to reduce to acceptable levels the presence of six environmentally sensitive substances: lead, mercury, cadmium, hexavalent chromium, and the presence of polybrominated biphenyls (PBB) and polybrominated diphenyl ethers (PBDE) flame retardants, in certain electrical and electronic products sold in the European Union (EU) beginning July 1, 2006.

VersaLogic Corp. is committed to supporting customers with high-quality products and services meeting the European Union's RoHS directive.

Warnings

ELECTROSTATIC DISCHARGE

Warning! Electrostatic discharge (ESD) can damage circuit boards, disk drives, and other components. The circuit board must only be handled at an ESD workstation. If an approved station is not available, some measure of protection can be provided by wearing a grounded antistatic wrist strap. Keep all plastic away from the board, and do not slide the board over any surface.

After removing the board from its protective wrapper, place the board on a grounded, static-free surface, component side up. Use an antistatic foam pad if available.

The board should also be protected inside a closed metallic antistatic envelope during shipment or storage.

Note: The exterior coating on some metallic antistatic bags is sufficiently conductive to cause excessive battery drain if the bag comes in contact with the bottom side of the VL-EPMs-21.

LITHIUM BATTERY

Warning! To prevent shorting, premature failure, or damage to the lithium battery, do not place the board on a conductive surface such as metal, black conductive foam, or the outside surface of a metalized ESD protective pouch. The lithium battery may explode if mistreated. Do not recharge, disassemble, or dispose of in fire. Dispose of used batteries promptly and in an environmentally suitable manner.

HANDLING CARE

Warning! Care must be taken when handling the board not to touch the exposed circuitry with your fingers. Though it will not damage the circuitry, it is possible that small amounts of oil or perspiration on the skin could have enough conductivity to cause the contents of CMOS RAM to become corrupted through careless handling, resulting in CMOS resetting to factory defaults.

Technical Support

If you are unable to solve a problem after reading this manual, please visit the VL-EPMs-21 product support web page below. The support page provides links to component datasheets, device drivers, and BIOS and PLD code updates.

[VL-EPMs-21 Support Page](http://www.versalogic.com/private/ocelotsupport.asp)

<http://www.versalogic.com/private/ocelotsupport.asp>

The VersaTech KnowledgeBase contains a wealth of technical information about VersaLogic products, along with product advisories. Click the link below to see all KnowledgeBase articles related to the VL-EPMs-21.

[VersaTech KnowledgeBase](#)

If you have further questions, contact VersaLogic Technical Support at (541) 485-8575. VersaLogic support engineers are also available via e-mail at Support@VersaLogic.com.

REPAIR SERVICE

If your product requires service, you must obtain a Returned Material Authorization (RMA) number by calling (541) 485-8575.

Please provide the following information:

- Your name, the name of your company, your phone number, and e-mail address
- The name of a technician or engineer that can be contacted if any questions arise
- Quantity of items being returned
- The model and serial number (barcode) of each item
- A detailed description of the problem
- Steps you have taken to resolve or recreate the problem
- The return shipping address

Warranty Repair All parts and labor charges are covered, including return shipping charges for UPS Ground delivery to United States addresses.

Non-warranty Repair All non-warranty repairs are subject to diagnosis and labor charges, parts charges, and return shipping fees. Please specify the shipping method you prefer and provide a purchase order number for invoicing the repair.

Note: Please mark the RMA number clearly on the outside of the box before returning.

Initial Configuration

The following components are recommended for a typical development system with the VL-EPMs-21 computer:

- ATX power supply
- DDR2 memory module (see System RAM)
- LVDS display (or analog display with VL-CBR-2014 adapter card)
- Standard I/O breakout board (VL-CBR-5012)
- USB keyboard and mouse
- USB floppy disk drive (optional)
- IDE hard drive (optional)
- IDE CD-ROM drive (optional)

The following VersaLogic cables are recommended:

- VL-CBR-2012 (or Hirose alternative VL-CBR-2010) or VL-CBR-2011 (JAE) LVDS adapter cable
- VL-CBR-4406 – IDE data cable
- VL-CBR-4405 – IDE adapter board, if you are using drives with 40-pin connectors
- VL-CBR-1008 – Power adapter cable

You will also need an operating system (OS) installation CD-ROM.

Basic Setup

The following steps outline the procedure for setting up a typical development system. The VL-EPMs-21 should be handled at an ESD workstation or while wearing a grounded antistatic wrist strap.

Before you begin, unpack the VL-EPMs-21 and accessories. Verify that you received all the items you ordered. Inspect the system visually for any damage that may have occurred in shipping. Contact Support@VersaLogic.com immediately if any items are damaged or missing.

Gather all the peripheral devices you plan to attach to the VL-EPMs-21 and their interface and power cables.

It is recommended that you attach standoffs to the board (see Hardware Assembly) to stabilize the board and make it easier to work with.

Figure 2 shows a typical start-up configuration (using RoHS compatible cables).

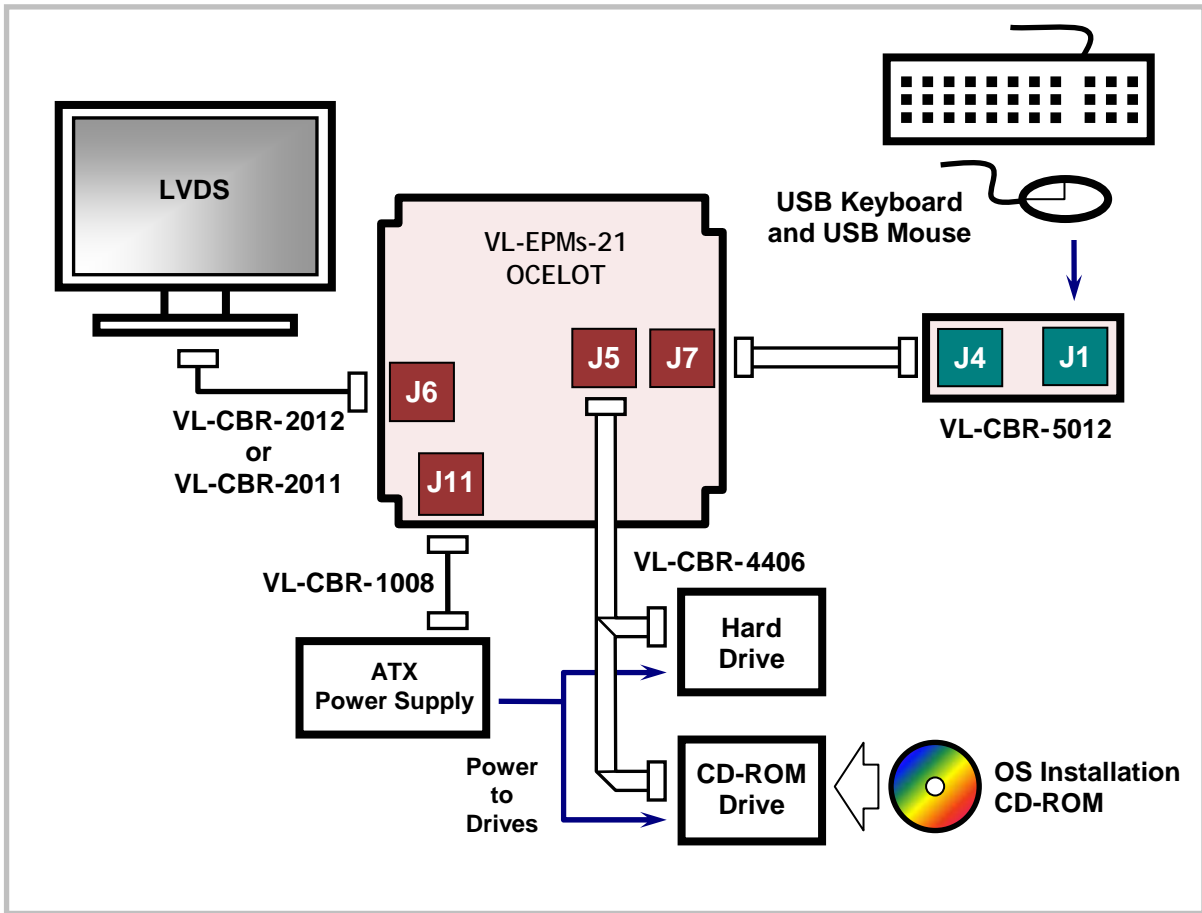


Figure 2. Typical Start-up Configuration

1. Install Memory

- Insert the DDR2 DRAM module into the SO-DIMM socket J14 and latch it into place.

2. Attach Cables and Peripherals

- Plug the LVDS cable VL-CBR-2012 (or Hirose alternative VL-CBR-2010) or VL-CBR-2011 into socket J6. Attach the cable to the LVDS display. (Note: You can attach an analog monitor to connector J6 using the VL-CBR-2014 adapter card.)
- Plug the breakout board VL-CBR-5012 into socket J7.
- Plug a USB keyboard and USB mouse into socket J1 of the breakout board. (Note: In DOS, input is through a keyboard only. Due to a limitation of the BIOS, mouse function is not supported in DOS.)
- Plug the hard drive data cable VL-CBR-4406 into socket J5. Attach a hard drive and CD-ROM drive to the connectors on the cable. If the hard drive is 3.5", use the 2 mm to 0.1" adapter VL-CBR-4405 to attach the IDE cable.
- Attach an ATX power cable to any 3.5" drive (hard drive or CD-ROM drive).
- Set the hard drive jumper for master device operation and the CD-ROM drive jumper for slave device operation.

3. Attach Power

- Plug the power adapter cable VL-CBR-1008 into socket J11. Attach the motherboard connector of the ATX power supply to the adapter.

4. Review Configuration

- Before you power up the system, double check all the connections. Make sure all cables are oriented correctly and that adequate power will be supplied to the VL-EPMs-21 and peripheral devices.

5. Power On

- Turn on the ATX power supply and the video monitor. If the system is correctly configured, a video signal should be present.

6. Select a Boot Drive

- During startup, press the B key to display the boot menu. Insert the OS installation CD in the CD-ROM drive and select to boot from the CD-ROM drive.

7. Install Operating System

- Install the OS according to the instructions provided by the OS manufacturer. (See Operating System Installation.)

Note: If you intend to operate the VL-EPMs-21 under Windows XP or Windows XP Embedded, be sure to use Service Pack 3 (SP3) for full support of the latest device features.

CMOS Setup

The default CMOS Setup parameters for the VL-EPMs-21h (extended temperature model) are shown below. Due to changes and improvements in the system BIOS, the information on your monitor may differ from that shown below. The factory default date will correspond to the BIOS build date. Some values may vary depending on the configuration of your VL-EPMs-21. See KnowledgeBase article [VT1628 - EPMS-21 CMOS Setup Reference](#) for more information about these parameters.

Note: The minimum BIOS revision required to operate the VL-EPMs-U1 Serial Communications board with the VL-EPMs-21 is 6.5.101. Be sure to update the BIOS to the latest available revision from the [VL-EPMs-21 support page](#) before installing the VL-EPMs-U1.

Main Menu

```

+-----+-----+
| System Summary                                     | Use TAB to switch | |
|-----|-----| between month, day |
| Phoenix[R] System BIOS                          | and year. Use digits |
| VersaLogic Version      6.5.102                  | and BKSP to change |
| Core Version            EB(SF).005               | field.              |
| PLD Version             3                        |                     |
| PLD Flags               CST                      |                     |
| BIOS Build Date         05/24/11                 |                     |
| System BIOS Size        128KB                    |                     |
| CPM/CSPM/BPM Modules    P7C7, SCHUS15W, EPMS21  |                     |
| StrongFrame[R] Technology, Firmbase[R] Technology |                     |
|                                     |                     |
| Processor (CPU)                                     |                     |
| Intel[R] Atom[TM] CPU Z520 @ 1.60GHz             |                     |
| Processor Count         2                        |                     |
|                                     |                     |
| System Memory (RAM)                                     |                     |
| Low Memory (KB)         626                      |                     |
| Extended Memory (KB)    1030912                  |                     |
|                                     |                     |
| Real Time Clock (RTC)                                     |                     |
| RTC Date                 [05/24/2011]            |                     |
| RTC Time                 [13:57:20]              |                     |
+-----+-----+

```

Note: The processor speed for extended temperature models of the VL-EPMs-21 is 1.33 GHz.

Exit Menu

```

+-----+-----+
| Save, Restore, and Exit Setup                       | Press ENTER to save | |
|-----|-----| changes and reboot |
| Save Settings and Restart                          | system.              |
|                               [Enter]              |                     |
| Exit Setup Without Saving Changes                  |                     |
|                               [Enter]              |                     |
| Reload Factory-Defaults and Restart                |                     |
|                               [Enter]              |                     |
| Reload Custom-Defaults and Restart                 |                     |
|                               [Enter]              |                     |
+-----+-----+

```

Boot Menu

<pre> System Boot Configuration ----- Boot Device Prioritization (BBS) 0 [IDE 0/Pri Master] 1 [IDE 1/Pri Slave] 2 [None] Initialization Policy [Boot Devices Only] IDE Drive Configuration IDE 0 Type [Autoconfig, LBA] IDE 0 Mode [UDMA mode (40-conductor cable)] IDE 1 Type [Autoconfig, LBA] IDE 1 Mode [UDMA mode (40-conductor cable)] </pre>	<pre> Select initialization and boot priority for all devices. Backspace deletes selection. Space bar, + and - change selections. </pre>
-------------------------------------------------------------------------------------------------------------------------------------------------------------------------------------------------------------------------------------------------------------------------------------------------------------------------------------------------------------------------------------------	-----------------------------------------------------------------------------------------------------------------------------------------------------------

POST Menu

<pre> POST Memory Tests ----- Low Memory Standard Test [Enabled] Low Memory Exhaustive Test [Disabled] High Memory Standard Test [Disabled] High Memory Exhaustive Test [Disabled] Click During Memory Test [Enabled] Clear Memory During Test [Disabled] POST Error Control ----- Pause on POST Errors [Disabled] POST User Interface ----- POST Display Messages [Enabled] POST Operator Prompt [Enabled] POST Display PCI Devices [Enabled] POST Debugging ----- Post Slow Reboot Cycle [Disabled] POST Fast Reboot Cycle [Disabled] Device Initialization ----- POST Floppy Seek [Disabled] POST Hard Disk Seek [Enabled] </pre>	<pre> Enable basic memory confidence test below 1MB during POST. </pre>
-----------------------------------------------------------------------------------------------------------------------------------------------------------------------------------------------------------------------------------------------------------------------------------------------------------------------------------------------------------------------------------------------------------------------------------------------------------------------------------------------------------------------------------------------------------------------------------------------------------------------------------------------------------------------------------------------------------------------------------------------------	-----------------------------------------------------------------------------------------

SIO Menu*

BIOS Super I/O Configuration		RS-422/485/232-4wire on J2_top.
SMSC SCH3114 Devices		
IRQ Sharing	[No Sharing]	
Serial Port 1	[Enabled]	
Address	[3F8h]	
IRQ	[IRQ 4]	
Mode	[RS-232 (4-wire)]	
Serial Port 2	[Enabled]	
Address	[2F8h]	
IRQ	[IRQ 3]	
Mode	[RS-232 (4-wire)]	
Serial Port 3	[Disabled]	
Address	[3E8h]	
IRQ	[No IRQ]	
Mode	[RS-232 (4-wire)]	
Serial Port 4	[Disabled]	
Address	[2E8h]	
IRQ	[No IRQ]	
Mode	[RS-232 (4-wire)]	

* If a VL-EPMs-U1 (UART and optional GPS) device is attached to the VL-EPMs-21, a submenu will appear that enables you to set the serial port settings for that board.

Features Menu

BIOS Feature Configuration		Enable to initialize APICs and use them in an emulated PIC mode. If you wish to use full-APIC mode, this must be set AND must be set AND either ACPI or MP must be enabled. DO NOT CHANGE AFTER OS INSTALL.
Interrupt Processing	[Use APIC]	
MP Tables (non ACPI OSes)	[Enabled]	
Quick Boot	[Disabled]	
ACPI	[Enabled]	
POST Memory Manager	[Disabled]	
System Management BIOS	[Enabled]	
Splash Screen	[Disabled]	
Console Redirection		
Use Console Assignments Below	[On Remote User Detect]	
POST Console	[COM1]	
Preboot Console	[COM1]	
Debugger Console	[COM1]	
Legacy Free Option		
Legacy-Free	[Enabled]	
Plug-n-Play Header	[Enabled]	
CPU Configuration		
P7 Geyserville/Speedstep	[Enabled]	
Intel VT	[Disabled]	
Microcode Update	[Enabled]	
Core Multi-Processing	[Enabled]	

Firmware Menu

Firmware Menu		
Features Enabled by Firmware[R] Technology		Enable to support USB keyboard and mouse
Legacy USB	[Enabled]	
USB Boot	[Enabled]	
EHCI/USB 2.0	[Enabled]	
Firmware User Shell	[Enabled]	
Basic Firmware[R] Technology Configuration		
Firmware Technology	[Enabled]	
Firmware Debug Log	[None]	
Firmware System Console	[None]	
Firmware Shell on Serial Port	[None]	
Firmware[R] Technology Foreground IRQ Monitoring		
IRQ0 (Timer)	[Disabled]	
IRQ1 (Keyboard)	[Disabled]	
IRQ2 (Cascade)	[Disabled]	
IRQ3 (COM2/COM4)	[Disabled]	
IRQ4 (COM1/COM3)	[Disabled]	
IRQ5 (LPT2)	[Disabled]	
IRQ6 (Floppy)	[Disabled]	
IRQ7 (LPT1)	[Disabled]	
IRQ8 (RTC)	[Disabled]	
IRQ9 (PCI/SCI)	[Disabled]	
IRQ10 (PCI)	[Disabled]	
IRQ11 (PCI)	[Disabled]	
IRQ12 (Mouse)	[Disabled]	
IRQ13 (NPX)	[Disabled]	
IRQ14 (IDE)	[Disabled]	
IRQ15 (IDE)	[Disabled]	

Misc Menu*

Misc Menu*		
Cache Control		Enable to allow CPU caching to operate.
System Cache	[Enabled]	
Keyboard Control		
Keyboard Numlock LED	[Disabled]	
Typematic Rate	[30/sec]	
Typematic Delay	[250ms]	
Miscellaneous BIOS Configuration		
Lowercase Hex Displays	[Disabled]	

* This menu only appears in BIOS revision 6.5.101 and earlier.

Video Menu

Display Device Configuration		Select video boot display.
Video Boot Display	[Default]	
LCD Flat Panel Type	[800x600 LVDS Color Panel]	
Panel Fitting	[Default]	
Spread Spectrum	[Disabled]	

Chipset Menu

RTC Alarm Configuration		Enable Wake-On-RTC.
Wake-On-RTC	[Disabled]	
RTC Alarm	[00:00:00]	
Intel SCH US15W Configuration		
Video Frame Buffer Size	[8MB]	
IGD MSI	[Disabled]	
Route USB P2 to USB Client	[Enabled]	

Board Menu

General Board Control		Write-protect Flash BIOS sectors.
Flash Protection	[Enabled]	
POST Watchdog	[Enabled]	
Periodic SMI	[Enabled]	
PCI Interrupt Configuration		
PCI INT A routing	[IRQ 10]	
PCI INT B routing	[IRQ 11]	
PCI INT C routing	[IRQ 15]	
PCI INT D routing	[IRQ 10]	
ISA (PC/104) Bus Control		
16-bit ISA I/O Select	[Disabled]	
ISA Interrupt Configuration		
ISA IRQ 3	[Disabled]	
ISA IRQ 4	[Disabled]	
ISA IRQ 5	[Disabled]	
ISA IRQ 6	[Disabled]	
ISA IRQ 7	[Disabled]	
ISA IRQ 9	[Disabled]	
ISA IRQ 10	[Disabled]	
ISA IRQ 11	[Disabled]	
ISA IRQ 12	[Disabled]	
ISA IRQ 15	[Disabled]	
ISA I/O Range Forwarding		
080 to 080	[Enabled]	
100 to 1CF	[Disabled]	
200 to 2E7	[Disabled]	
2E8 to 2EF	[Disabled]	
2F0 to 2F7	[Disabled]	
2F8 to 2FF	[Disabled]	
300 to 377	[Disabled]	
378 to 3E7	[Disabled]	
3E8 to 3EF	[Disabled]	
3F0 to 3F7	[Disabled]	
3F8 to 3FF	[Disabled]	
400 to AFF	[Disabled]	

Advanced CPU Menu

Advanced CPU Information	
CPU Model and Stepping	1730
CPU Microcode Version	535
On-Die Thermal Sensor, °C to Overheat:	28

Operating System Installation

The standard PC architecture used on the VL-EPMs-21 makes the installation and use of most of the standard x86-based operating systems very simple. The operating systems listed on the [VersaLogic OS Compatibility Chart](#) use the standard installation procedures provided by the maker of the OS. Special optimized hardware drivers for a particular OS, or a link to the drivers, are available at the VL-EPMs-21 Product Support web page at <http://www.versalogic.com/private/ocelotsupport.asp>.

Dimensions and Mounting

VL-EPMs-21 DIMENSIONS

The VL-EPMs-21 complies with PC/104-Express dimensional standards. Dimensions are given below to help with pre-production planning and layout.

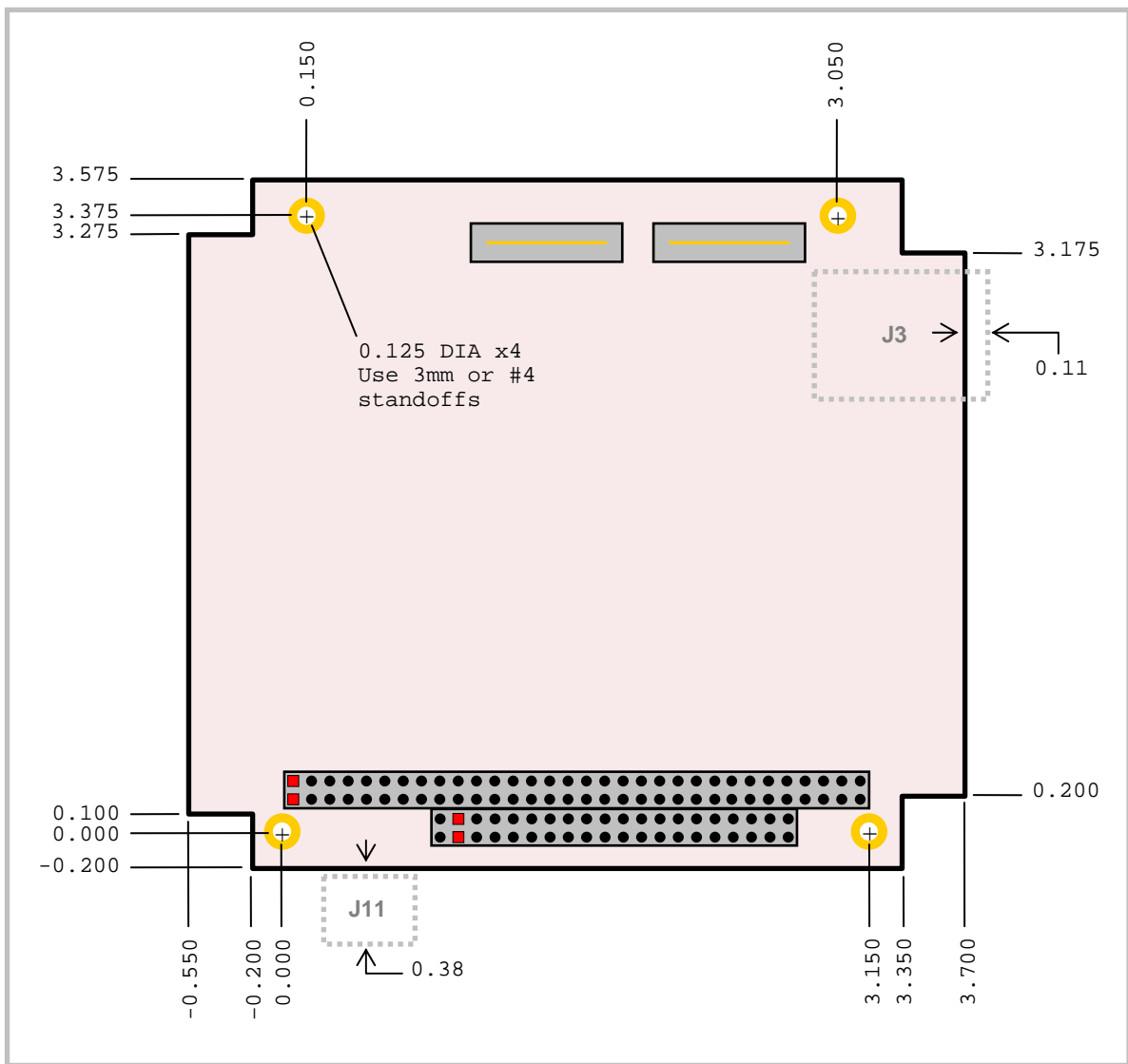


Figure 3.VL-EPMs-21 Dimensions and Mounting Holes

(Not to scale. All dimensions in inches.)

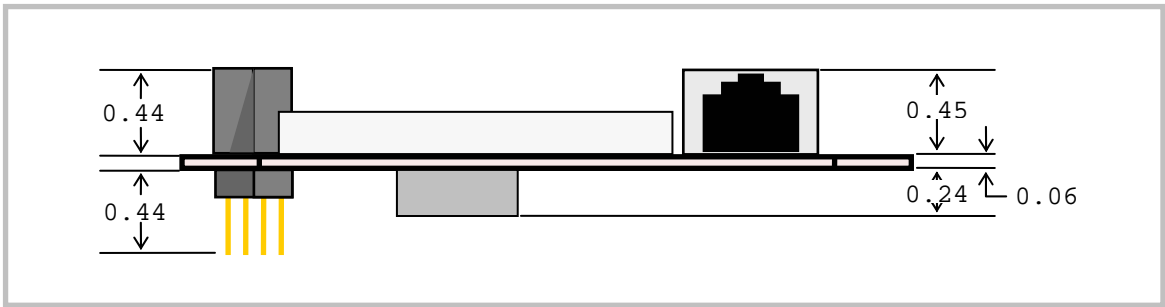


Figure 4. VL-EPMs21 Height Dimensions

(Not to scale. All dimensions in inches.)

Note: Pass-through PC/104 (ISA) connectors are included only on “a” and “b” models.

VL-CBR-5012 DIMENSIONS

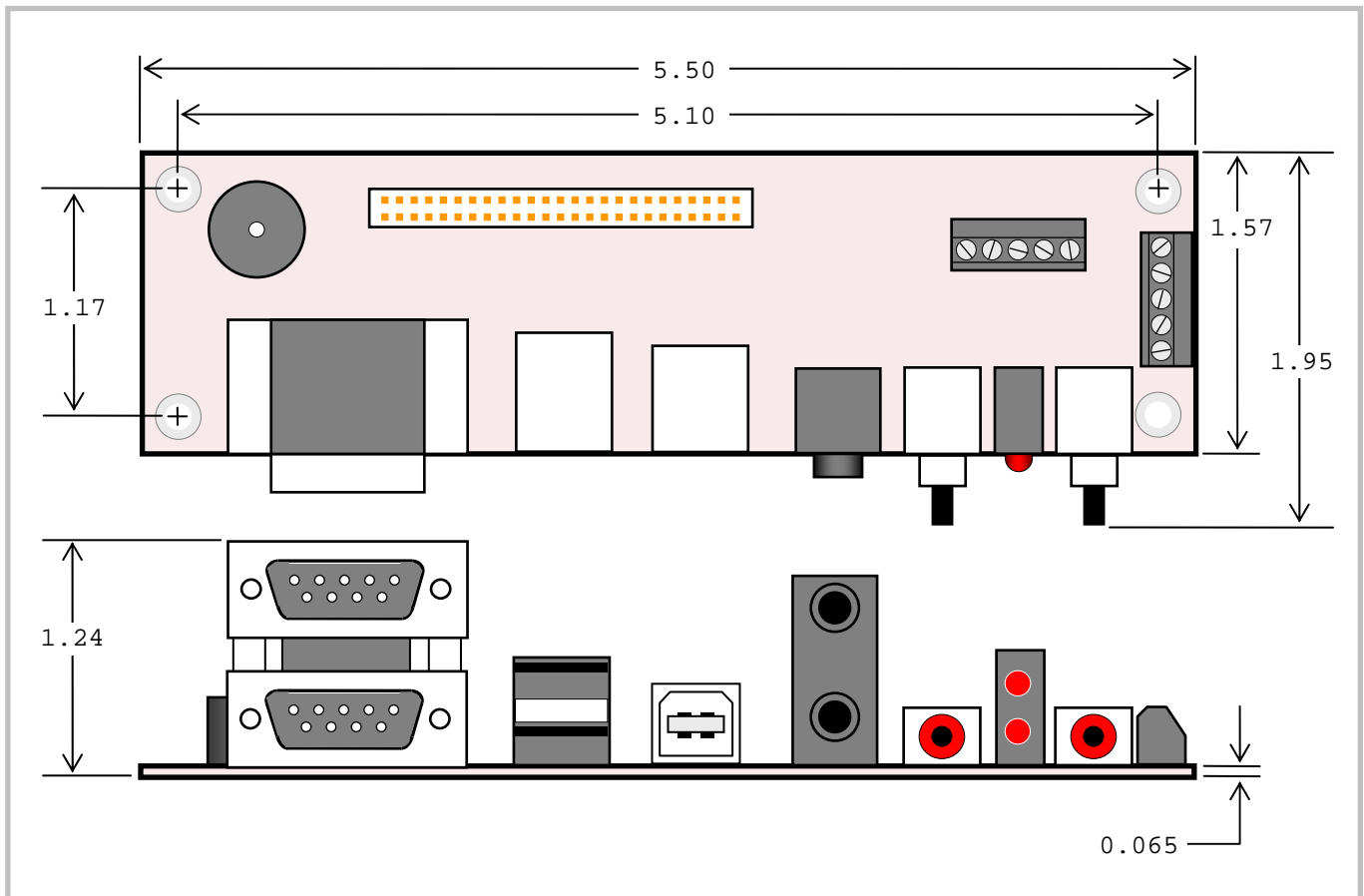


Figure 5. VL-CBR-5012 Dimensions and Mounting Holes

(Not to scale. All dimensions in inches.)

HARDWARE ASSEMBLY

The VL-EPMs-21 uses pass-through SUMIT (PCIe, USB, LPC, and SPI) and PC/104 (ISA) connectors so that expansion modules can be added to the top of the stack. A SUMIT expansion module with a PCIe x4 lane must be closest to the CPU board (for SUMIT CPU boards supporting a PCIe x4 lane). Next on the stack would be an expansion module with a PCIe x1 lane. Above that, USB, SPI, SMBus, and/or LPC SUMIT modules can be stacked. PC/104-only (ISA) modules must not be positioned between the VL-EPMs-21 and any SUMIT modules on the stack.

The entire assembly can sit on a table top or be secured to a base plate. When bolting the unit down, make sure to secure all four standoffs to the mounting surface to prevent circuit board flexing. Standoffs are secured to the top circuit board using four pan head screws. See page 17 for dimensional details. Standoffs and screws are available as part number VL-HDW-105. Note that the standoffs in this kit are 15.25 mm (0.60"), and must not be mixed with the 15 mm standoffs used for non-SUMIT boards.

An extractor tool is available (part number VL-HDW-201) to separate the PC/104 modules from the stack. Use caution when using the extractor tool not to damage any board components.

STACK ARRANGEMENT EXAMPLE

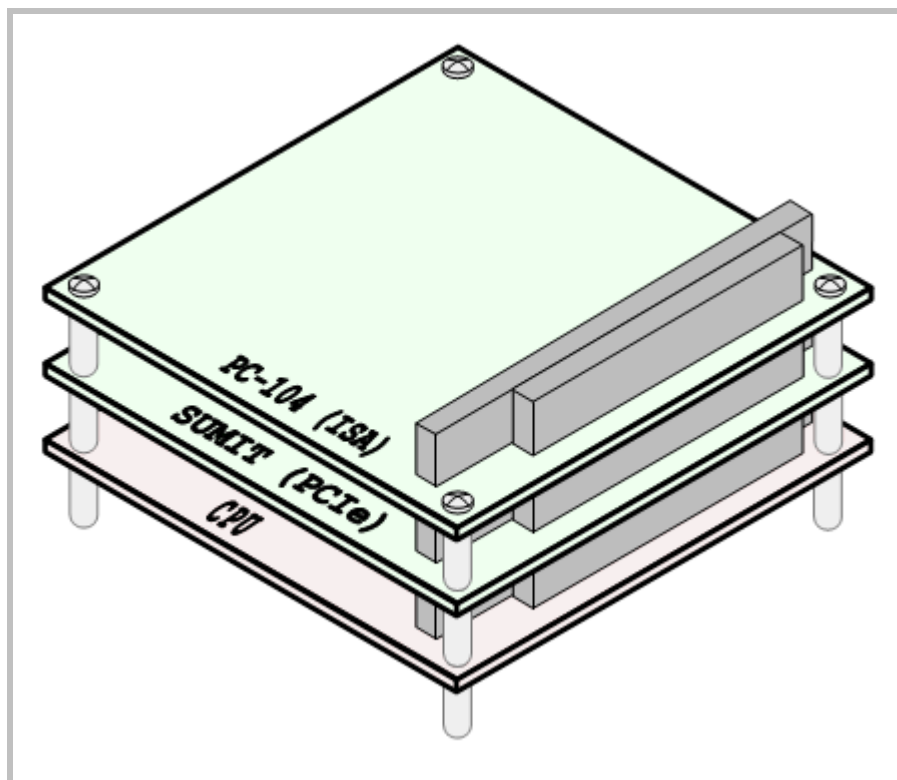


Figure 6. Stack Arrangement Example

External Connectors

VL-EPMS-21 CONNECTOR LOCATIONS – TOP

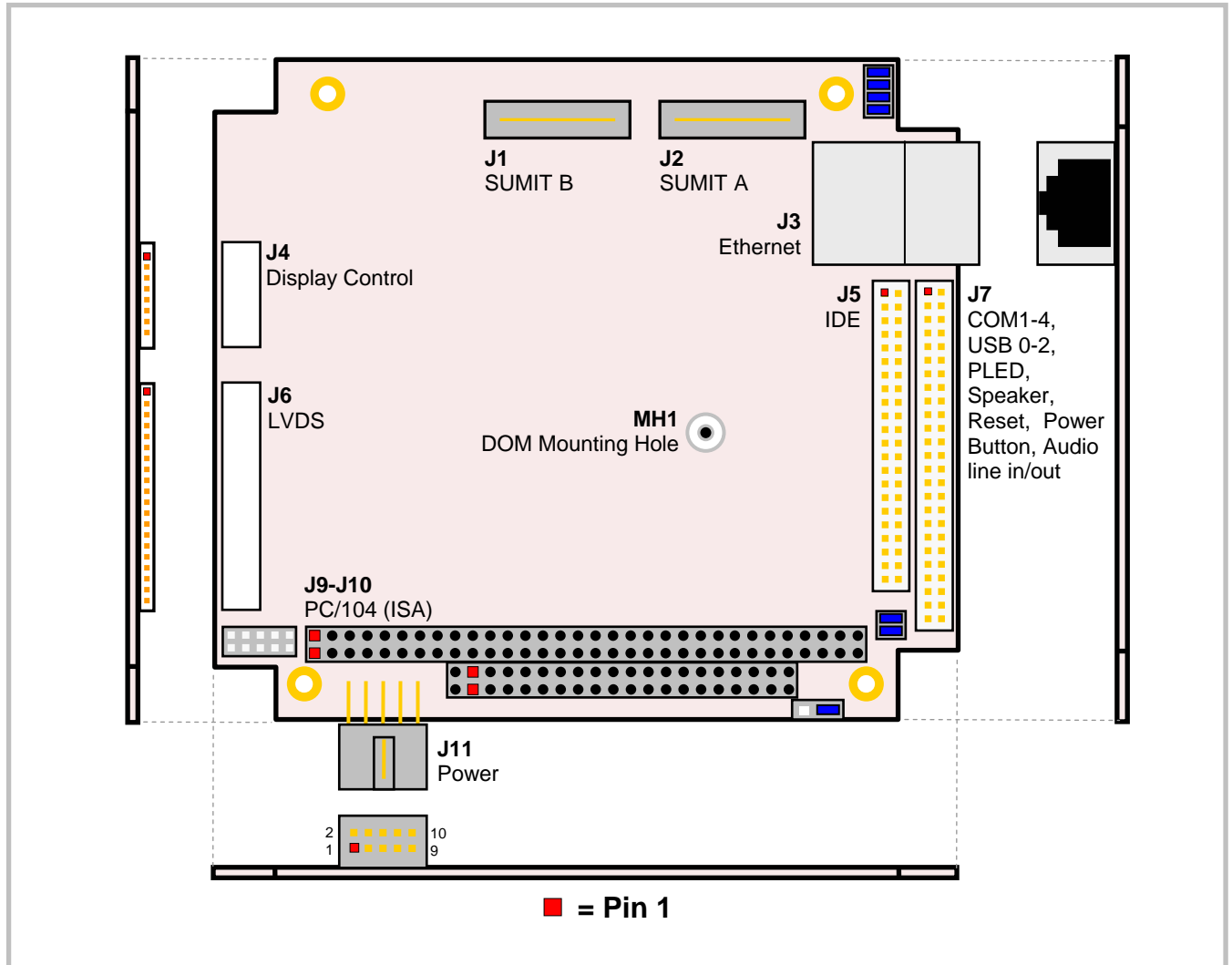


Figure 7. Connector Locations (Top)

VL-EPMS-21 CONNECTOR LOCATIONS – BOTTOM

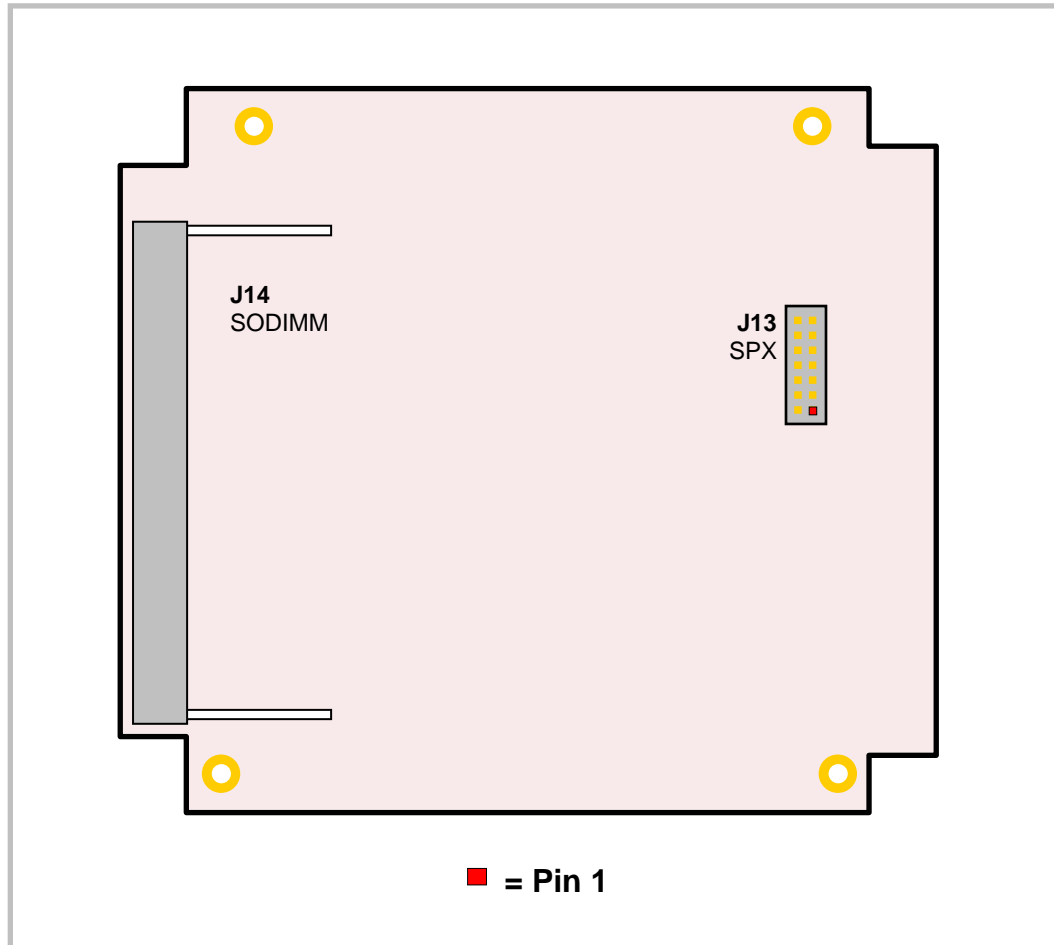


Figure 8. Connector Locations (Bottom)

VL-EPMS-21 CONNECTOR FUNCTIONS AND INTERFACE CABLES

Table 1 provides information about the function, mating connectors, and transition cables for VL-EPMS-21 connectors. Page numbers indicate where a detailed pinout or further information is available.

Table 1: Connector Functions and Interface Cables

Connector	Function	Mating Connector	Transition Cable	Cable Description	Pin 1 Location ¹		Page
					x coord.	y coord.	
J1	SUMIT B – 2 PCIe x1 lanes	Samtec ASP-129646-01	—	—	1.669	3.322	33
J2	SUMIT A – 1 PCIe x1 lane, 4 USB, LPC, SPI, SMBus	Samtec ASP-129646-01	—	—	2.712	3.322	32
J3	Gigabit Ethernet	RJ45	—	—	3.036	2.992	34
J4	Display Control – Monitor DDC, GMBus, backlight control	Molex 51146-0900 (housing) Molex 50641-8041 (pins)	—	Display Control	-0.261	2.292	35
J5	IDE – HD, CD-ROM, or DOM	FCI 89947-144LF	VL-CBR-4406 ²	1' 44-pin 2 mm latching / two 44-pin 2 mm	3.221	2.288	39
J6	LVDS ³	Molex 51146-2000 (housing) Molex 50641-8041 (pins)	VL-CBR-2012 or VL-CBR-2010 or VL-CBR-2011	24-bit TFT FPD using 20-pin Hirose conn. or 18-bit TFT FPD using 20-pin Hirose conn. or 18-bit TFT FPD using 20-pin JAE conn.	-0.261	1.484	35
J7	Main I/O – 4 COM, 2 USB host, 1 USB client, audio in/out, LED, speaker, power button, reset	FCI 89361-350LF	VL-CBR-5012	50-pin I/O cable to breakout board	3.532	2.288	41
J8	JTAG in-system programming	—	—	—	-0.467	0.199	—
J9-J10	PC/104	AMP 1375795-2	—	—	0.050	0.200	45
J11	Main Power Input	Berg 69176-010 (housing) + Berg 47715-000 (pins)	VL-CBR-1008	Interface from standard ATX power supply	0.259	-0.125	26
J12	Intel in-system debug port	—	—	—	1.223	3.287	—
J13	SPX	FCI 89361-714LF	VL-CBR-1401 or VL-CBR-1402	2 mm 14-pin IDC, 2 or 4 SPX device cable	3.048	1.485	45
J14	SO-DIMM	DDR2 RAM	—	—	-0.404	0.548	28

1. The PCB Origin is the mounting hole to the lower left.

2. VL-CBR-4405 44-pin to 40-pin adapter required to connect to 3.5" IDE drives with 40-pin connectors.

3. A VGA monitor can be connected to J6 using the VL-CBR-2014 LVDS to VGA adapter card.

CONNECTOR LOCATIONS – VL-CBR-5012

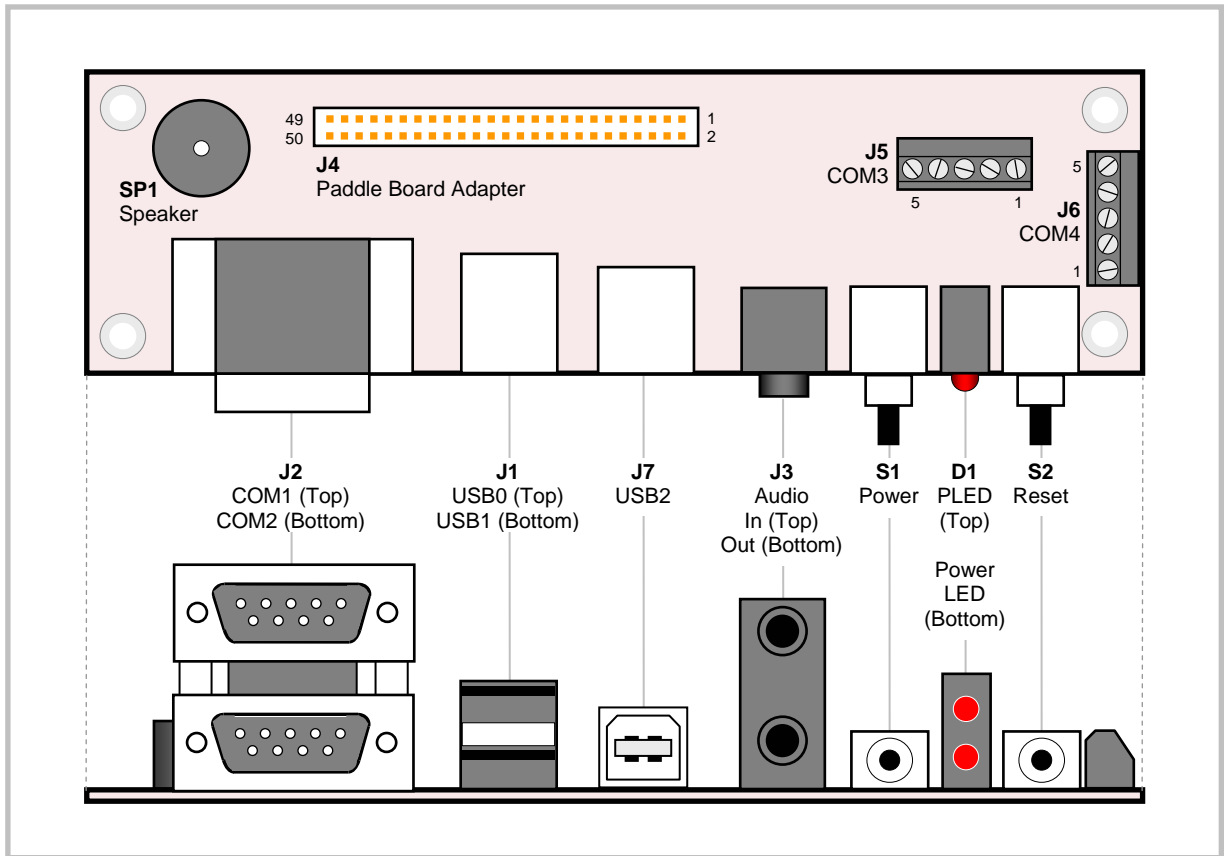


Figure 9. VL-CBR-5012 Connector Locations

VL-CBR-5012 CONNECTOR FUNCTIONS

Table 2: VL-CBR-5012 Connector Functions and Interface Cables

Connector	Function	PCB Connector	Description
J1	USB0, USB1	USB Type A	USB Host
J2	COM1, COM2	Kycon K42-E9P/P-A4N	Dual DB-9 male
J3	Audio In/Out	3.5 mm dual audio jack	–
J4	High Density Connector	FCI 98414-F06-50ULF	2 mm, 50-pin, keyed header
J5	COM3	Conta-Clip 10250.4	5-pin screw terminal
J6	COM4	Conta-Clip 10250.4	5-pin screw terminal
J7	USB2	USB Type B	USB Client
D1	PLED (Top), Power LED (Bottom)	LED	–
S1	Power Button	Pushbutton	–
S2	Reset Button	Pushbutton	–
SP1	Speaker	Piezo speaker	–

Jumper Blocks

JUMPERS AS-SHIPPED CONFIGURATION

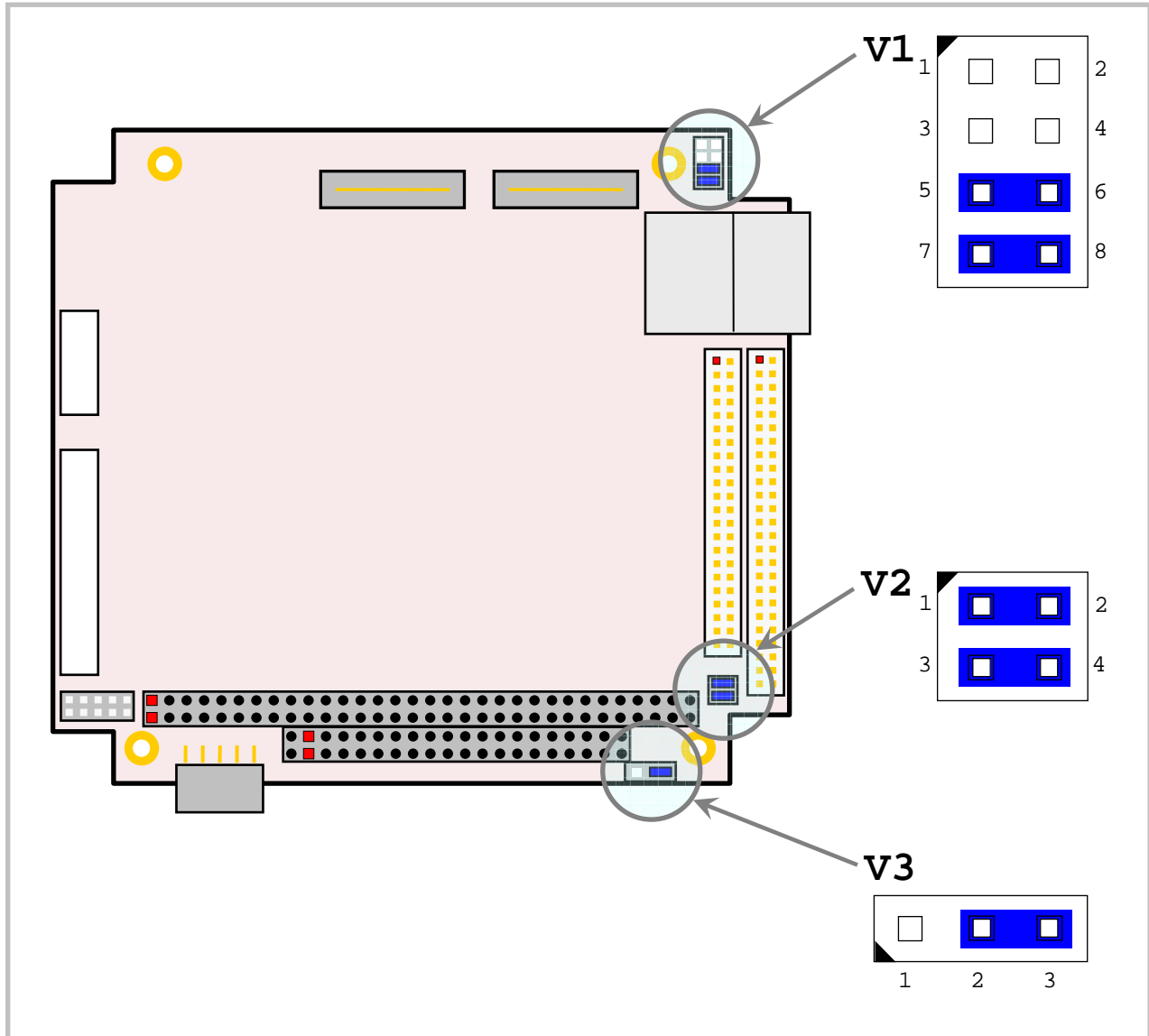


Figure 10. Jumper Block Locations

JUMPER SUMMARY

Table 3: Jumper Summary

Jumper Block	Description	As Shipped	Page
V1[1-2]	<p>COM1 Rx End-point Termination</p> <p>In – 120 Ohm termination active Out – No termination</p> <p>Places terminating resistor across COM1 RS-485 TXRX+/TXRX- or RS-422 RX+/RX- differential pair.</p>	<p>Out (Rev. 1.02 and later)</p> <p>In (Rev. 1.01 and earlier)</p>	42
V1[3-4]	<p>COM2 Rx End-point Termination</p> <p>In – 120 Ohm termination active Out – No termination</p> <p>Places terminating resistor across COM2 RS-485 TXRX+/TXRX- or RS-422 RX+/RX- differential pair.</p>	<p>Out (Rev. 1.02 and later)</p> <p>In (Rev. 1.01 and earlier)</p>	42
V1[5-6]	<p>COM3 Rx End-point Termination</p> <p>In – 120 Ohm termination active Out – No termination</p> <p>Places terminating resistor across COM3 RS-485 TXRX+/TXRX- or RS-422 RX+/RX- differential pair.</p>	In	42
V1[7-8]	<p>COM4 Rx End-point Termination</p> <p>In – 120 Ohm termination active Out – No termination</p> <p>Places terminating resistor across COM4 RS-485 TXRX+/TXRX- or RS-422 RX+/RX- differential pair.</p>	In	42
V2[1-2]	<p>General Purpose Input Bit</p> <p>In – Bit D1 of GPI register reads as 1 Out – Bit D1 of GPI register reads as 0</p>	In	57
V2[3-4]	<p>CMOS Reset</p> <p>In – Normal operation Out – Reset CMOS to factory defaults</p> <p>Removing this jumper and restarting the VL-EMPs-21 causes CMOS to be restored to factory defaults.</p>	In	28
V3[1-2]	<p>RTC Reset</p> <p>In – Reset RTC Out – Normal operation</p>	Out	28
V3[2-3]	Jumper Storage	In	–

Power Supply

POWER CONNECTORS

Main power is applied to the VL-EPMS-21 through a 10-pin polarized connector, with mating connector Berg 69176-010 (Housing) + Berg 47715-000 (Pins). See the table below for connector pinout and page 20 for location information.

Warning! To prevent severe and possibly irreparable damage to the system, it is critical that the power connectors are wired correctly. Make sure to use all +5 VDC and all ground pins to prevent excess voltage drop. The power connector is not fuse or diode protected. Proper polarity must be followed or damage will occur. Some manufacturers include a pin-1 indicator on the crimp housing that corresponds to pin-10 of the pinout shown in Figure 11.

Table 4: Main Power Connector Pinout

J11 Pin	Signal Name	Description
1	GND	Ground
2	+5 VDC	Power Input
3	GND	Ground
4	+12 VDC	Power Input
5	GND	Ground
6	-12 VDC	Power Input
7	+3.3 VDC	Power Input
8	+5 VDC	Power Input
9	GND	Ground
10	+5 VDC	Power Input

Note: The +3.3 VDC, +12 VDC and -12 VDC inputs are necessary for expansion modules that require these voltages.

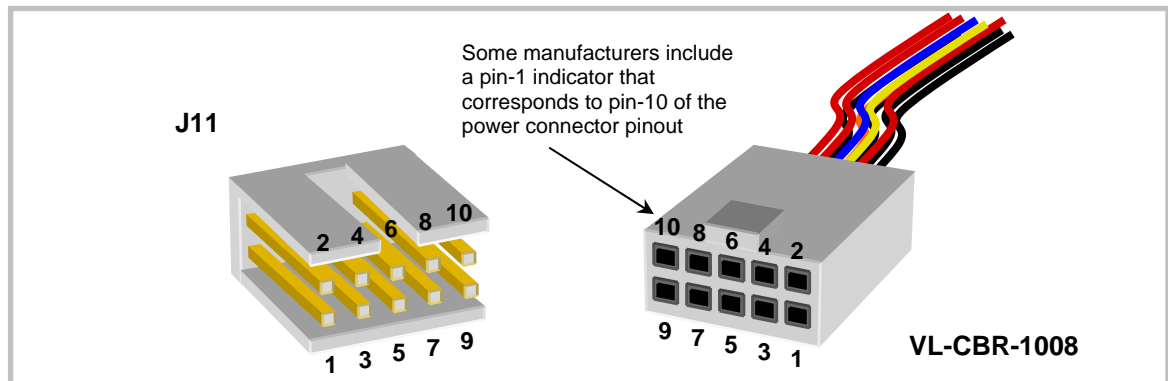


Figure 11. J11 and VL-CBR-1008 Pin Numbering

POWER REQUIREMENTS

The VL-EPMs-21 requires only +5V ($\pm 5\%$) for proper operation. The voltage required for the RS-232 ports is generated with an on-board DC/DC converter. Variable low-voltage supply circuits provide power to the CPU and other on-board devices.

The exact power requirement of the VL-EPMs-21 depends on several factors, including memory configuration, CPU speed, peripheral connections, and the type and number of expansion modules and attached devices. For example, driving long RS-232 lines at high speed can increase power demand.

POWER CYCLING

To ensure reliable power up when cycling power, you must allow the power to remain off for a minimum of three seconds. This ensures that all internal clocks and phased-lock loop (PLL) circuitry have settled before powering back on. The three second minimum is a requirement of the Intel chipset architecture and not the design of the VL-EPMs-21.

In order to reduce boot failures when power is cycled in less than three seconds, the system's watchdog timer is enabled by default during the power-on self-test (POST) pre-boot sequence. With the [POST Watchdog](#) parameter enabled in CMOS Setup, a hang condition during POST will cause the watchdog to timeout and reboot the board. If disabled, a hang caused by quick power cycling will cause a boot failure.

SUMIT +5V STANDBY POWER

The +5V power inputs to the VL-EPMs-21 are common to one another; for example, +5Vsb is connected to the J11 input +5V pins.

LITHIUM BATTERY

Warning! To prevent shorting, premature failure, or damage to the lithium battery, do not place the board on a conductive surface such as metal, black conductive foam, or the outside surface of a metalized ESD protective pouch. The lithium battery may explode if mistreated. Do not recharge, disassemble or dispose of in fire. Dispose of used batteries promptly.

Normal battery voltage should be at least +3V. If the voltage drops below +2V, contact the factory for a replacement (part number HB3/0-1). The life expectancy under normal use is approximately 10 years.

CPU

The Intel Z5xx Atom is a low power, single core processor with Hyperthreading™ support and clock rates of 1.6 GHz (VL-EPMs-21g) and 1.33 GHz (VL-EPMs-21h), with a 533 MT/s FSB and 512 KB cache. The CPU has a typical power consumption of 2.2W. The Intel System Controller Hub (SCH) chipset features DDR2 SDRAM support, integrated LVDS and display control, USB 2.0/1.1, PATA/ IDE, and PCI Express, among other interfaces.

System RAM

The VL-EPMs-21 has one DDR2 SO-DIMM socket with the following characteristics:

- Storage Capacity 256 MB to 2 GB for standard temperature product
256 MB to 1 GB for extended temperature product
Eight chips max. (JEDEC SO-DIMM raw card types A or C)
- Voltage +1.8V
- Type Unbuffered PC2-4200 or faster (DDR2)

Note: The recently released Intel Atom Z5xx CPU supports only JEDEC SO-DIMM raw card types A or C. It currently does not support most 16-chip memory modules, raw card type E. Use only the VersaLogic VL-MM8 family of approved memory modules. As Intel issues microcode updates, additional memory vendors may be qualified. Contact [VersaLogic Sales](#) for more information.

CMOS RAM

RESETTING CMOS SETUP TO FACTORY DEFAULTS

You can remove the V2[3-4] jumper to reset CMOS to factory defaults. When resetting CMOS:

1. Power off the VL-EPMs-21.
2. Remove the V2[3-4] jumper and power up the computer.
3. Move the jumper to back to V2[3-4] after power up to retain CMOS settings.

CLEARING THE REAL-TIME CLOCK

You can move the V3 jumper to position [1-2] for a minimum of three seconds to erase the contents of the Real-Time Clock (RTC). When clearing the RTC:

1. Power off the VL-EPMs-21.
2. Install the jumper on V3[1-2] and leave it for three seconds.
3. Move the jumper to back to V3[2-3].
4. Power on the VL-EPMs-21.

CMOS Setup Defaults

The VL-EPMs-21 permits users to modify CMOS Setup defaults. This allows the system to boot up with user-defined settings from cleared or corrupted CMOS RAM, battery failure, or battery-less operation. All CMOS Setup defaults can be changed, except the time and date. CMOS Setup defaults can be updated with the BIOS Update Utility. See the [General BIOS Information page](#) for details.

Warning! If CMOS Setup default settings make the system unbootable and prevent the user from entering CMOS Setup, the VL-EPMs-21 needs to be serviced by the factory.

DEFAULT CMOS RAM SETUP VALUES

After CMOS RAM is cleared, the system will load default CMOS RAM parameters the next time the board is powered on. The default CMOS RAM setup values will be used in order to boot the system whenever the main CMOS RAM values are blank, or when the system battery is dead or has been removed from the board.

Real Time Clock

The VL-EPMs-21 features a year 2000-compliant, battery-backed 146818-compatible real-time clock/calendar chip. Under normal battery conditions, the clock maintains accurate timekeeping functions when the board is powered off.

SETTING THE CLOCK

The CMOS Setup utility (accessed by pressing the Delete key during the early boot cycle) can be used to set the time and date of the real-time clock.

ACPI Power Management

The VL-EPMs-21 supports the Advanced Configuration and Power Interface (ACPI) via a LVC MOS-level input or pushbutton (or relay attached to the pushbutton interface). Power consumption in standby mode is approximately 1 watt. Wakeup typically occurs in 1 to 6 seconds.

Standby mode functionality has been tested under Windows XP and Linux.

S3 SLEEP STATE

The ACPI Specification defines the S3 sleeping state as a low wake latency sleeping state where all system context is lost except system memory. CPU, cache, and chipset context are lost in this state. The hardware maintains memory context and restores some CPU configuration context. Control starts from the processor's reset vector after the wake event.

Since the state of the OS and all applications (including open documents) is sustained in main memory, the system can resume work exactly where it left off. The contents of main memory when the computer wakes from standby are the same as when it was put into standby.

SETUP

To setup the VL-EPMs-21 to use ACPI power management:

1. Verify that the CMOS Setup ACPI setting is set to Enabled. This is the default setting.
2. Install the most current drivers for all system devices. If a driver is not installed in Windows correctly, an exclamation point will appear before the device name in Device Manager. Incorrectly installed or older drivers may prevent the system from entering standby mode.

ENTERING STANDBY MODE

Standby mode can be entered through the OS (by configuring the standby settings in Power Options Properties) or programmatically, through a function call or the execution of a shutdown utility.

SetSystemPowerState Function

The “Power Management Reference” in the [MSDN Library](#) contains complete information on the API available for power control under Windows. The “Power Management Functions” section provides complete information on the use of the API.

The function used to set the system power state is SetSystemPowerState. This function suspends the system by shutting power down. Depending on the *ForceFlag* parameter, the function either suspends operation immediately or requests permission from all applications and device drivers before doing so.

```

BOOL SetSystemPowerState(
    BOOL fSuspend,
    BOOL fForce
);

```

Parameters:

fSuspend

[in] If this parameter is TRUE, the system is suspended. If the parameter is FALSE, the system hibernates. This parameter is ignored in Windows Me/98/95.

fForce

[in] If this parameter is TRUE, the function broadcasts a PBT_APMSPUSPEND event to each application and driver, then immediately suspends operation. If the parameter is FALSE, the function broadcasts a PBT_APMQUERYSPUSPEND event to each application to request permission to suspend operation.

WAKEUP

The system will wake with one power button push. It can also wake potentially (with software support) from the Ethernet, serial port, or USB.

POWER AND RESET BUTTON FUNCTIONALITY

The power and reset button inputs of the VL-EPMs-21 are simplified versions of those described in ACPI Specification 2.0. There is no software interface to observe or configure their behavior. The power button has direct control of the system power state. When the system is in the S0 state (fully on), pressing the power button will shut off the VL-EPMs-21 and place it into the S5 state (off). No event signal is given to the OS and the system will not wait for the OS to shutdown before removing power to the CPU and chipset.

Watchdog Timer

A watchdog timer can be implemented using the VL-EPMs-21 WDT register and the SMSC SCH3114 Super I/O chip. The BIOS initializes the SCH3114 WDT registers during post.

See the [SCH311X Datasheet](#) for detailed Super I/O chip information.

1. Configure PLD Watchdog control bits (0x1D3.5:4). Examples:
 - a. 0x1D3 POR default = 00h
 - b. 0x1D3 = 00h = Do Nothing
 - c. 0x1D3 = 10h = Cold Reset
 - d. 0x1D3 = 20h = Power Cycle (3 sec. off time)
 - e. 0x1D3 = 30h = Power Off
2. Configure Super I/O WDT (GP60) pin (0x0C47.7,3:0). Examples:
 - a. 0x0C47 POR default = 0Eh
 - b. 0x0C47 = 0Eh = WDT enable, Push-Pull, Inverted
3. Configure Timescale (0x0C65.7). Examples:
 - a. 0x0C65 POR default = 08h
 - b. 0x0C65 = 00h = Minutes
 - c. 0x0C65 = 80h = Seconds
4. Configure Timeout value (0x0C66.7:0). Examples:
 - a. 0x0C66 POR default = 00h
 - b. 0x0C66 = 00h = WDT disabled
 - c. 0x0C66 = 01h to FFh = Timeout value + 1 (min./sec.)
5. (optional) Read SIO WDT status bit (0x0C68.1). Examples:
 - a. 0x0C68 POR default = 00h
 - b. 0x0C68 = 00h = timer counting
 - c. 0x0C68 = 01h = timeout occurred (Note: Bit 0 is not automatically cleared by PCI reset but can be reset by software.)
6. (optional) Read PLD WDT status bit (0x1D3.7). Examples:
 - a. 0x1D3 POR default = 00h
 - b. 0x1D3 = 00h = No timeout has occurred
 - c. 0x1D3 = 80h = timeout has occurred
7. (optional) "Feeding" the watchdog.
 - a. Repeat step 4

SUMIT Connectors (J1-J2)

The SUMIT-A and SUMIT-B connectors (J2 and J1, respectively) provide expansion options by supporting additional buses, as shown in Table 5 and Table 6. See the [SUMIT Specification](#) for a complete description of the SUMIT interface.

Table 5: VL-EPMs-21 SUMIT-A Connector (J2) Pinout

Pin	Signal Name	Function
1	+5VSB	+5V power (common)
3	3.3V	+3.3V power
5	3.3V	+3.3V power
7	NC	No connect
9	NC	No connect
11	USB_OC#	USB overcurrent flag
13	Reserved	Reserved
15	+5V	+5V power
17	USB7+	USB7 data +
19	USB7-	USB7 data -
21	+5V	+5V power
23	USB6+	USB6 data +
25	USB6-	USB6 data -
27	+5V	+5V power
29	USB5+	USB5 data +
31	USB5-	USB5 data -
33	+5V	+5V power
35	USB4+	USB4 data +
37	USB4-	USB4 data -
39	GND	Ground
41	A_PETp2	Link A, lane 2 transmit +
43	A_PETn2	Link A, lane 2 transmit -
45	GND	Ground
47	PERST#	Platform Reset
49	WAKE#	PCIe Wake
51	+5V	+5V power

Pin	Signal Name	Function
2	+12V	+12V power
4	SMB/I2C_DATA	SMBus data
6	SMB/I2C_CLK	SMBus clock
8	SMB/I2C_ALERT#	SMBus interrupt line in
10	SPI/uWire_DO	SPI master in slave out
12	SPI/uWire_DI	SPI master out slave in
14	SPI/uWire_CLK	SPI clock
16	SPI/uWire_CS0#	SPI slave select 5
18	SPI/uWire_CS1#	SPI slave select 6
20	NC	No connect
22	NC	No connect
24	LPC_AD0	LPC address-data line 0
26	LPC_AD1	LPC address-data line 1
28	LPC_AD2	LPC address-data line 2
30	LPC_AD3	LPC address-data line 3
32	LPC_FRAME#	LPC frame
34	SERIRQ#	Serial IRQ legacy
36	NC	No connect
38	CLK_33MHz	LPC 33 MHz clock
40	GND	Ground
42	A_PERp2	Link A, lane 2 receive +
44	A_PERn2	Link A, lane 2 receive -
46	APRSNT#/GND	Link A card present
48	A_CLKp	Link A clock 0 +
50	A_CLKn	Link A clock 0 -
52	GND	Ground

Table 6: VL-EPMs-21 SUMIT B Connector (J1) Pinout

Pin	Signal Name	Function
1	GND	Ground
3	B_PETp4	Link B, lane 4 transmit +
5	B_PETn4	Link B, lane 4 transmit –
7	GND	Ground
9	C_CLKp	Link C clock 5 +
11	C_CLKn	Link C clock 5 –
13	CPRSNT#/GND	Link C present
15	C_PETp5	Link C, lane 5 transmit +
17	C_PETn5	Link C, lane 5 transmit –
19	GND	Ground
21	NC	No connect
23	NC	No connect
25	GND	Ground
27	NC	No connect
29	NC	No connect
31	GND	Ground
33	NC	No connect
35	NC	No connect
37	GND	Ground
39	PERST#	Reset
41	NC	No connect
43	+5V	+5V power
45	+5V	+5V power
47	+5V	+5V power
49	+5V	+5V power
51	+5V	+5V power

Pin	Signal Name	Function
2	GND	Ground
4	B_PERp4	Link B, lane 4 receive +
6	B_PERn4	Link B, lane 4 receive –
8	BPRSNT#/GND	Link B present
10	B_CLKp	Link B clock 4 +
12	B_CLKn	Link B clock 4 –
14	GND	Ground
16	C_PERp5	Link C, lane 5 receive +
18	C_PERn5	Link C, lane 5 receive –
20	GND	Ground
22	NC	No connect
24	NC	No connect
26	GND	Ground
28	NC	No connect
30	NC	No connect
32	GND	Ground
34	NC	No connect
36	NC	No connect
38	GND	Ground
40	WAKE#	PCIe Wake
42	NC	No connect
44	NC	No connect
46	3.3V	+3.3V power
48	3.3V	+3.3V power
50	3.3V	+3.3V power
52	+5VSB	+5V power (common)

Ethernet Interface (J3)

The VL-EPMs-21 features an on-board Intel 82574IT gigabit Ethernet controller, which provides a standard IEEE 802.3 Ethernet interface for 1000Base-T, 100Base-T, 100Base-TX, and 10Base-T applications. The 82574IT consumes one PCIe lane operating at 2.5 Mbps with sufficient bandwidth to support a 1000 Mbps transfer rate.

ETHERNET CONNECTOR

A board-mounted RJ45 connector is provided to make connection with a Category 5 or 6 Ethernet cable. The 82574IT Ethernet controller auto-negotiates connection speed. The interface uses IEC 61000-4-2-rated TVS components to help protect against ESD damage.

Table 7: RJ45 Ethernet Connector Pinout

J3 Pin	Fast Ethernet		Gigabit Ethernet	
	Signal Name	Function	Signal Name	Function
1	T+	Transmit Data +	MID0+	Media Dependent Interface [0]+
2	T-	Transmit Data -	MID0-	Media Dependent Interface [0]-
3	R+	Receive Data +	MID1+	Media Dependent Interface [1]+
4	IGND	Isolated Ground	MID2+	Media Dependent Interface [2]+
5	IGND	Isolated Ground	MID2-	Media Dependent Interface [2]-
6	R-	Receive Data -	MID1-	Media Dependent Interface [1]-
7	IGND	Isolated Ground	MID3+	Media Dependent Interface [3]+
8	IGND	Isolated Ground	MID3-	Media Dependent Interface [3]-

ETHERNET STATUS LEDs

The RJ-45 connector has two built-in LEDs to provide an indication of the Ethernet status as shown in the following table.

Table 8: Ethernet Status LEDs

LED	State	Description
Green/Orange (Link Speed)	Orange	1 Gbps speed
	Green	100 Mbps speed
	Off	10 Mbps speed or cable not plugged into active hub
Yellow (Activity)	On	Activity detected on cable (intermittent with activity)
	Off	No activity detected on cable

Video Interface (J4 and J6)

An on-board video controller integrated into the chipset provides high-performance LVDS video output for the VL-EPMs-21. The VL-EPMs-21 can also be operated with a VGA monitor through an adapter or without a video card attached (headless).

DISPLAY CONTROL

Pin	Signal Name	Function
1	VEN	Backlight inverter power enable
2	GMbus_CLK	I2C-based backlight brightness control clock
3	GND	Ground
4	GMbus_DATA	I2C-based backlight brightness control data
5	BLDN	Backlight enable
6	DDC_CLK	Display Data Channel clock (EDID) for plug-n-play
7	GND	Ground
8	DDC_DATA	Display Data Channel data (EDID) for plug-n-play
9	BLCTL	Simple PWM-based backlight brightness control

CONFIGURATION

The VL-EPMs-21 uses a shared-memory architecture. This allows the video controller to use 256 MB of system DRAM for video RAM.

The VL-EPMs-21 supports only one type of video output: LVDS Flat Panel Display.

LVDS FLAT PANEL DISPLAY CONNECTOR

The integrated LVDS flat panel display in the VL-EPMs-21 is an ANSI/TIA/EIA-644-1995 specification-compliant interface. It can support up to 24 bits of RGB pixel data plus three bits of timing control (HSYNC/VSYNC/DE) on the four differential data output pairs. The LVDS clock frequency ranges from 25 MHz to 112 MHz.

The +3.3V power provided to pins 19 and 20 of J6 is protected by a 1 amp fuse.

See the *Connector Location Diagram* on page 20 for connector location information.

Table 9: LVDS Flat Panel Display Pinout

J6 Pin	Signal Name	Function
1	GND	Ground
2	NC	No Connection
3	LVDSA3	Diff. Data 3 (+)
4	LVDSA3#	Diff. Data 3 (-)
5	GND	Ground
6	LVFSCLK0	Differential Clock (+)
7	LVDSCLK0#	Differential Clock (-)
8	GND	Ground
9	LVDSA2	Diff. Data 2 (+)
10	LVDSA2#	Diff. Data 2 (-)
11	GND	Ground
12	LVDSA1	Diff. Data 1 (+)
13	LVDSA1#	Diff. Data 1 (-)
14	GND	Ground
15	LVDSA0	Diff. Data 0 (+)
16	LVDSA0#	Diff. Data 0 (-)
17	GND	Ground
18	GND	Ground
19	+3.3V	Protected Power Supply
20	+3.3V	Protected Power Supply

COMPATIBLE LVDS PANEL DISPLAYS

The following list of flat panel displays is reported to work properly with the integrated graphics video controller chip used on the VL-EPMs-21.

Table 10: Compatible Flat Panel Displays

Manufacture	Model Number	Panel Size	Resolution	Interface	Panel Technology
eVision Displays	xxx084S01 series	8.4"	800 x 600 18-bit	LVDS	TFT
au Optronix	B084SN01	8.4"	800 x 600 18-bit	LVDS	TFT
eVision Displays	xxx104S01 series	10.4"	800 x 600 18-bit	LVDS	TFT
au Optronix	B104SN01	10.4"	800 x 600 18-bit	LVDS	TFT
Sharp	LQ121S1LG411	12.1"	800 x 600 18-bit	LVDS	TFT
eVision Displays*	xxx141X01 series	14.1"	1024 x 768 18-bit	LVDS	TFT

* Compatible with DOS or Windows Generic VGA driver, but not the GX Windows driver.

VGA OUTPUT

A VGA monitor can be attached to the J6 connector using the VL-CBR-2014 LVDS to VGA adapter card. Follow the procedure below to do this.

1. Plug LVDS cable VL-CBR-2012 or VL-CBR-2010 into connector J6 of the VL-EPMs-21.
2. Plug the LVDS cable into connector J1 of the VL-CBR-2014 adapter card (see Figure 12).
3. Attach the VGA monitor data cable to connector CN1 of the VL-CBR-2014 adapter cable.

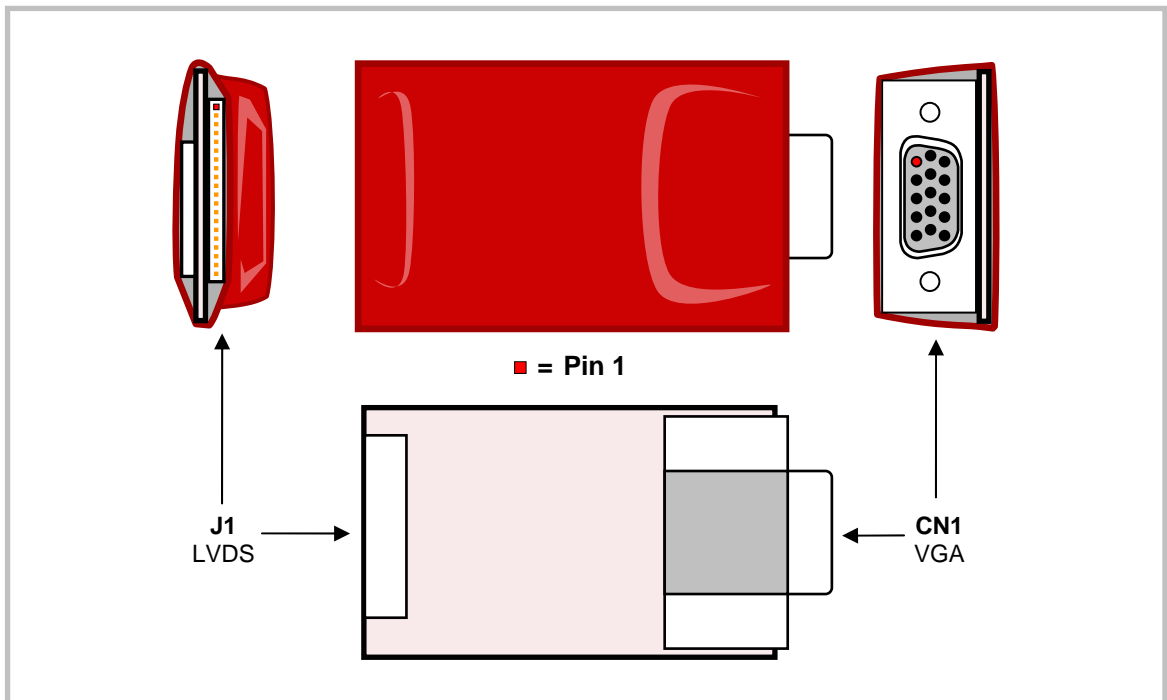


Figure 12. VL-CBR-2014 LVDS to VGA Adapter Card

CONSOLE REDIRECTION

The VL-EPMs-21 can be operated without using the on-board video output by redirecting the console to a serial communications port. CMOS Setup and some operating systems such as DOS can use this console for user interaction.

Console redirection settings are configured on the Features tab of CMOS Setup. The default setting (On Remote User Detect) causes the console not to be redirected to COM1 unless a signal (a Ctrl-C character) is detected from the terminal. Console redirection can also be set to Always or Never. You can direct console output to any COM port.

Notes on console redirection:

- When console redirection is enabled, you can access CMOS Setup by typing Ctrl-C.
- The decision to redirect the console is made early in BIOS execution and cannot be changed later.
- The redirected console uses 115200 baud, 8 data bits, 1 stop bit, no parity, and no flow control.

Null Modem

The following diagram illustrates a typical DB9 to DB9 RS-232 null modem adapter.

System 1	<-->	System 2
Name Pin		Pin Name
TX 3	---->	2 RX
RX 2	<----	3 TX
RTS 7	---->	8 CTS
CTS 8	<----	7 RTS
GND 5	<-->	5 GND
DTR 4	<-	6 DSR
DSR 6	<-	4 DTR
CD 1	<-	1 CD

Pins 1, 4, and 6 are shorted together on each connector. Unlisted pins have no connection.

IDE / PATA Interface (J5)

The IDE interface is available to connect up to two IDE devices, such as hard disks, CD-ROM drives, or Disk on Module devices. Connector J5 is the IDE controller with a 44-pin 2 mm connector. Use CMOS Setup to specify the drive parameters of the drive. If you attach only one IDE, it must be configured (jumpered) as the master device; a single IDE device configured as a slave device can cause system failures.

Cable length must be 18" or less to maintain proper signal integrity.

This interface supplies power to 2.5" IDE drives. If you are connecting a 3.5" drive to the interface (using the VL-CBR-4405 44-pin to 40-pin IDE adapter), you must supply external power to the drive. The power cable attached to a 3.5" drive must be properly grounded so that motor current is not returned via the grounds in the data cable.

VersaLogic offers a number of Disk on Module (DOM) flash storage devices, in capacities from 1 to 8 GB, that attach to the IDE connector. The VL-F20 series of DOMs have a 44-pin 2 mm connector and are secured to the board with one M2.5 x 6mm nylon pan head Philips screw. Screws are available in 10-count packages as part number VL-HDW-108.

Table 11: J5 IDE Hard Drive Connector Pinout

Pin	Signal Name	Function	Pin	Signal Name	Function
1	Reset-	Reset signal from CPU	23	DIOW	I/O write
2	Ground	Ground	24	Ground	Ground
3	DD7	Data bus bit 7	25	DIOR	I/O read
4	DD8	Data bus bit 8	26	Ground	Ground
5	DD6	Data bus bit 6	27	IORDY	I/O ready
6	DD9	Data bus bit 9	28	CSEL	Cable select
7	DD5	Data bus bit 5	29	DMACK-	DMA acknowledge
8	DD10	Data bus bit 10	30	Ground	Ground
9	DD4	Data bus bit 4	31	INTRQ	Interrupt request
10	DD11	Data bus bit 11	32	NC	No connection
11	DD3	Data bus bit 3	33	DA1	Device address bit 1
12	DD12	Data bus bit 12	34	CBLID-	Cable type identifier
13	DD2	Data bus bit 2	35	DA0	Device address bit 0
14	DD13	Data bus bit 13	36	DA2	Device address bit 2
15	DD1	Data bus bit 1	37	CS0	Chip select 0
16	DD14	Data bus bit 14	38	CS1	Chip select 1
17	DD0	Data bus bit 0	39	DASP-	LED
18	DD15	Data bus bit 15	40	Ground	Ground
19	Ground	Ground	41	Power	+5.0 V
20	NC	Key	42	Power	+5.0 V
21	PDMARQ	DMA request	43	Ground	Ground
22	Ground	Ground	44	NC	No connection

LOADING SOFTWARE ONTO A DISK ON MODULE DEVICE

VersaLogic recommends that you load operating systems or other software onto a DOM device via a USB drive or through the Ethernet interface.

Warning! If you attach a DOM to an IDE cable, be careful to preserve proper signal-to-signal integrity. Using a male-to-male adapter can cause a signal mismatch as shown below. This could result in damage to the DOM.

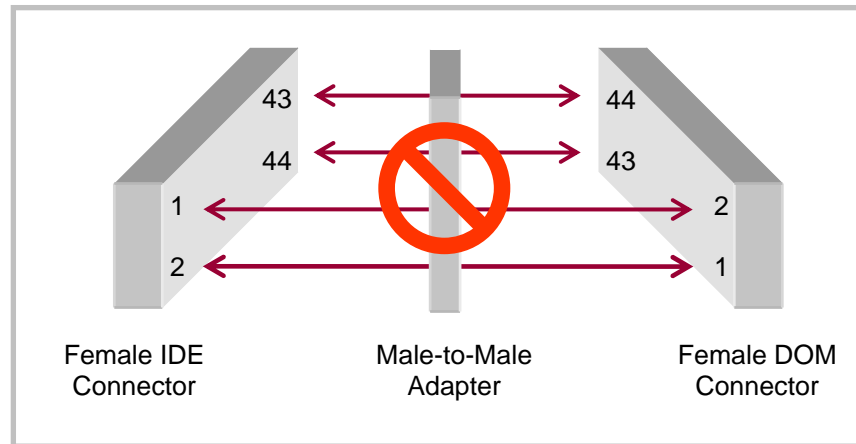


Figure 13: Incorrect Mating of DOM to IDE Cable

Main I/O Connector (J7)

The J7 50-pin main I/O connector incorporates the COM ports, USB ports, PLED, speaker, and the reset button. Table 12 shows the function of each pin and the pinout assignments to connectors on the VL-CBR-5012 breakout board.

The +5V power provided to pins 49 and 50 of J7 is protected by a 1 amp fuse.

Table 12: J7 Utility Connector Pinout

J4 Pin	VL-CBR-5012 Connector	Signal		
1	COM1 J2 Top	Ground		
2		Receive Data		
3		Clear to Send		
4		Ground		
5		Transmit Data		
6		Request to Send		
7	COM2 J2 Bottom	Ground		
8		Receive Data		
9		Clear to Send		
10		Ground		
11		Transmit Data		
12		Request to Send		
		RS-232	RS-422	RS-485
13	COM3 J5	GND	GND	GND
14		RXD	RXD-	RXD-
15		CTS	RXD+	RXD+
16		GND	GND	GND
17		TXD	TXD-	TXD-
18		RTS	TXD+	TXD+
19	COM4 J6	GND	GND	GND
20		RXD	RXD-	RXD-
21		CTS	RXD+	RXD+
22		GND	GND	GND
23		TXD	TXD-	TXD-
24		RTS	TXD+	TXD+
25	USB0 J1 Top	USB0 power (+5V isolated)		
26		Data +		
27		Data -		
28		Ground		
29	USB1 J1 Bottom	USB1 power (+5V isolated)		
30		Data +		
31		Data -		
32		Ground		
33	USB2 J7	USB Client Detect Input		
34		Data +		
35		Data -		
36		Ground		
37	D1	Programmable LED		
38	SP1	Speaker		
39	S1	Power Button		
40	S2	Pushbutton Reset		
41	Audio In J3 Top	HDA Ground (isolated)		
42		Audio Left In		
43		HDA Ground (isolated)		
44		Audio Right In		
45	Audio Out J3 Bottom	HDA Ground (isolated)		
46		Audio Right Out		
47		HDA Ground (isolated)		
48		Audio Right Out		
49		+5V (fuse protected)		
50		+5V (fuse protected)		

Serial Ports

The VL-EPMs-21 features four on-board 16550-based serial channels located at standard PC I/O addresses. Connector J7 provides interfaces to the COM ports.

All COM ports can be operated in RS-232, RS-422, or RS-485 modes. The default mode is RS-232.

Note: To operate a serial port in RS-232 mode, the termination jumper for the port must be removed from jumper block V1 (see Jumper Summary). Failure to remove the jumper will cause RS-232 communications to fail.

Additional non-standard baud rates are also available (programmable in the normal baud registers) of up to 460 Kbps. The RS-232 interface is 4-wire with CTS and RTS hardware handshaking.

Interrupt assignment for each COM port is handled in CMOS Setup, and each port can be independently enabled or disabled.

Note: It is possible to create a resource conflict if a COM port is enabled in CMOS and its I/O address space is consumed by an LPC-based SUMIT module or forwarded to the PC/104 (ISA) bus.

Note: You can improve the reliability of serial port traffic running at 11520 bps or greater by disabling the Periodic SMI option in CMOS Setup. (See KnowledgeBase article [VT1628 - EPMs-21 CMOS Setup Reference](#) for more information.) Enabling this option gives periodic CPU time slices to Firmware after POST completes. Firmware primarily allows USB keyboards and mass storage devices to behave as legacy PS/2 and IDE devices for operating systems such as DOS, which don't natively support USB.

All serial ports are protected against ESD damage. This protection exceeds the 15KV human body model.

COM PORT CONFIGURATION

Jumper block V1 controls termination of the RS-422/485 differential pairs. See the Jumper Summary on page 25 for details on termination configuration.

Note: To operate a serial port in RS-232 mode, the termination jumper for the port must be removed from jumper block V1 (see Jumper Summary). Failure to remove the jumper will cause RS-232 communications to fail.

SERIAL CONNECTOR PIN FUNCTIONS

Table 13: VL-CBR-5012 COM1 and COM2 Pinout

J2 Top DB-9 Pin	Signal Name	Function
1	CD	Shorted to pins 4 & 6
2	RXD*	Receive Data
3	TXD*	Transmit Data
4	DTR	Shorted to pins 1 & 6
5	GND	Ground
6	DSR	Shorted to pins 1 & 4
7	RTS	Request to Send
8	CTS	Clear to Send
9	RI	Not connected
J2 Bottom DB-9 Pin	Signal Name	Function
1	CD	Shorted to pins 4 & 6
2	RXD*	Receive Data
3	TXD*	Transmit Data
4	DTR	Shorted to pins 1 & 6
5	GND	Ground
6	DSR	Shorted to pins 1 & 4
7	RTS	Request to Send
8	CTS	Clear to Send
9	RI	Not connected

Table 14: VL-CBR-5012 COM3 and COM4

COM3 J5 Pin	COM4 J6 Pin	RS-232	RS-422	RS-485
1	1	Ground	Ground	Ground
2	2	RXD	RxD-	RxD-
3	3	CTS	RxD+	RxD+
4	4	TXD	TxD-	TxD-
5	5	RTS	TxD+	TxD+

USB Interface

Connector J7 includes interfaces for three USB ports (USB0-2). Four additional USB channels (USB3-6), are available on the SUMIT-A connector at J2. The USB interface on the VL-EPMs-21 is UHCI (Universal Host Controller Interface) and EHCI (Enhance Host Controller Interface) compatible, which provides a common industry software/hardware interface. On the VL-CBR-5012 breakout board there are two Type A USB connectors and one Type B USB connector.

One of the on-board USB ports (USB2) can be configured in CMOS Setup to operate in Host or Client mode. When operated in client mode, USB2 can operate as a USB networking or a USB mass storage device when connected to an external host computer. In other words, the Ocelot can appear as a USB mass storage device to a standard Windows XP workstation.

Programmable LED

Connector J7 includes an output signal for a programmable LED. Connect the cathode of the LED to J7 pin 37; connect the anode to +5V. A 300Ω on-board resistor limits the current to 15 mA when the LED is shorted. A programmable LED is provided on the VL-CBR-5012 breakout board. The programmable LED is the top LED at position D1.

To turn the LED on and off, set or clear bit D7 in I/O port 1D0h. When changing the register, make sure not to alter the value of the other bits.

The following code examples show how to turn the LED on and off.

LED On		LED Off	
MOV	DX, 1D0H	MOV	DX, 1D0H
IN	AL, DX	IN	AL, DX
OR	AL, 80H	AND	AL, 7FH
OUT	DX, AL	OUT	DX, AL

Note: The LED is turned on by the BIOS during system startup. This causes the light to function as a "power on" indicator if it is not otherwise controlled by user code. The BIOS also flashes the LED in sync with "Beep Codes" when an error occurs.

Internal Speaker

Connector J7 includes a speaker output signal at pin 38. The VL-CBR-5012 breakout board provides a Piezo electric speaker.

Pushbutton Reset

Connector J7 includes an input for a pushbutton reset switch. Shorting J7 pin 40 to ground causes the VL-EPMs-21 to reboot (hardware warm reset: power is not removed).

Audio

The audio interface on the VL-EPMs-21 is implemented using the Integrated Device Technology 92HD75B2X3 Audio Codec. This interface is Intel High Definition Audio-compatible. Drivers are available for most Windows-based and Linux operating systems. To obtain the most current versions, consult the VL-EPMs-21 product support page.

The J7 main I/O connector provides the line-level stereo input and line-level stereo output connection points. The outputs will drive any standard-powered PC speaker set.

Table 15: VL-CBR-5012 J3 Audio Connector Pinout

J3 Pin	Signal Name	Function
1	LINE_INL	Line-In Left
2	LINE_INR	Line-In Right
3	HDA_GND	HDA Ground
4	LINE_OUTL	Line-Out Left
5	LINE_OUTR	Line-Out Right
6	HDA_GND	HDA Ground

Note: In Windows, the rear line-in audio input is not enabled as the default audio input device. To use audio input, enable the rear line-in audio input via the IDT control panel software utility.

PC/104 (ISA) Expansion Bus (J9-J10)

The VL-EPMs-21 supports a limited implementation of the PC/104 bus. Be sure to check the requirements of your PC/104 card against the capabilities listed in this section. The VL-EPMs-21 implements an LPC to ISA bridge. The LPC bus on the VL-EPMs-21 has multiple targets including the firmware hub, super I/O, optional LPC-based SUMIT add-on cards, and the onboard CPLD containing the PC/104 bridge, VersaLogic registers, and the SPI controller (see the figure below). Special care must be taken to avoid resource conflicts between all LPC bus-based targets (including downstream buses such as PC/104 and SPI) as well as legacy devices internal to the system controller hub (SCH).

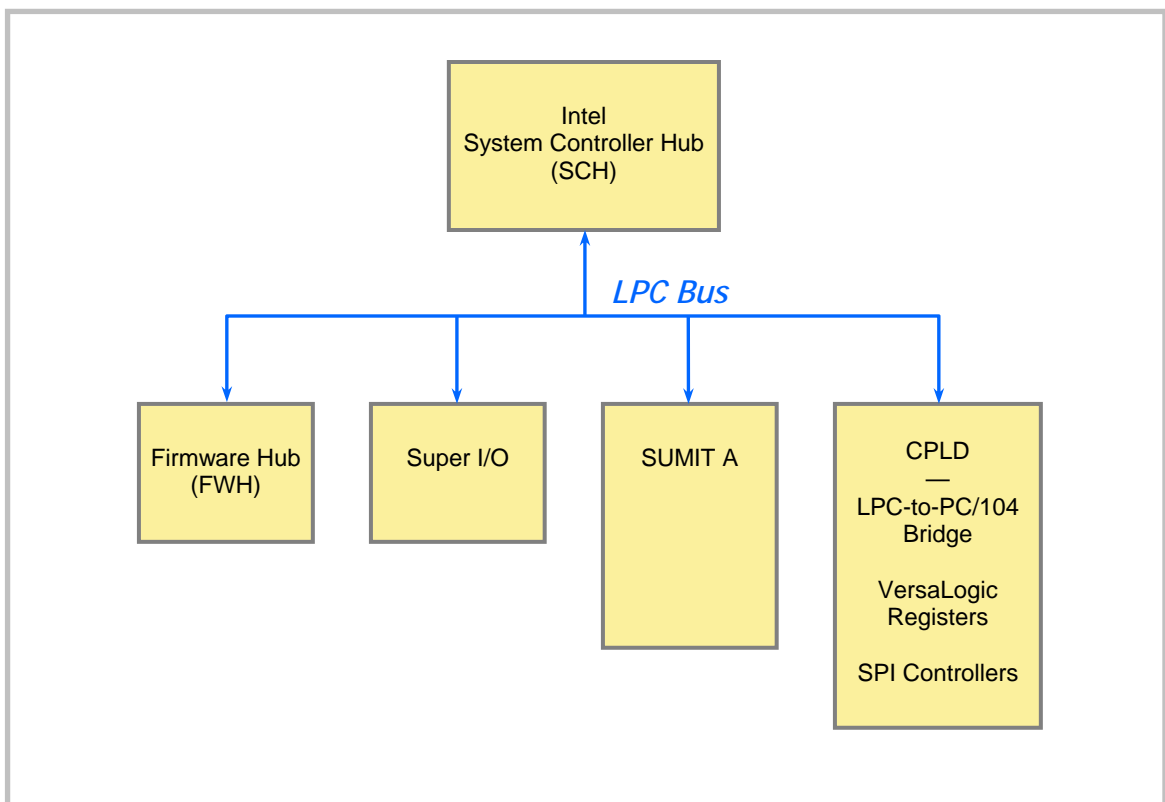


Figure 14. VL-EPMs-21 LPC Bus

PC/104 I/O CYCLE SUPPORT

I/O cycles are 8-bit by default; 16-bit cycles are supported with the following caveats.

- Any PC/104 modules that are 16-bit capable must assert IOCS16#
- 16-bit cycles are enabled in CMOS Setup
- All cycles to a 16-bit module are word-aligned (even addressed)

You cannot mix 8-bit and 16-bit PC/104 cycles to a 16-bit PC/104 module.

The ISA I/O ranges listed below are supported. The I/O ranges allocated to other LPC-based devices (on-board serial ports or SUMIT LPC bus modules) can conflict if forwarded to ISA bus PC/104 modules. Be sure to configure the ISA I/O ranges and the on-board serial ports in CMOS Setup to avoid conflicts with one another as well as SUMIT modules using the LPC bus.

- | | | |
|-----------------|-----------------|-----------------|
| ▪ 0x080 | ▪ 0x2F0 – 0x2F7 | ▪ 0x3E8 – 0x3EF |
| ▪ 0x100 – 0x1CF | ▪ 0x2F8 – 0x2FF | ▪ 0x3F0 – 0x3F7 |
| ▪ 0x200 – 0x2E7 | ▪ 0x300 – 0x377 | ▪ 0x3F8 – 0x3FF |
| ▪ 0x2E8 – 0x2EF | ▪ 0x378 – 0x3E7 | ▪ 0x400 – 0xAFF |

Available base I/O addresses for on-board COM ports are: 220h, 228h, 238h, 2E8h, 2F8h, 338h, 3E8h, and 3F8h.

PC/104 MEMORY CYCLE SUPPORT

The VL-EPMs-21 does not support ISA memory ranges. The VL-EPMs-21 does not support standard ISA memory cycles due to limitations of the Intel Atom architecture. The VL-EPMs-21 does provide a way to map up to 64 KB of ISA memory to the top of the board's memory map. The base address of this memory map location is at 0xFFD00000. The 64 KB of ISA memory can be enabled in four 16 KB blocks through the [PC104_IRQ_EN1 register](#). All four memory range blocks are enabled by default.

The VL-EPMs-21 only supports 8-bit ISA memory transaction; the 16BIT_EN register has no effect on ISA memory transactions.

IRQ SUPPORT

The following IRQs are available on the PC/104 bus:

- IRQ 3, IRQ 4, IRQ 5, IRQ 6, IRQ 7, IRQ 9, IRQ 10, IRQ 11, IRQ 12, and IRQ 15

Each of the IRQs must be enabled in CMOS Setup before it can be used on the ISA bus. Because ISA IRQ sharing is not supported, make sure that any IRQ channel used for an ISA device is not used elsewhere. For example, if ISA IRQ 4 is enabled, you must use a different IRQ for COM1. Not all listed IRQs may be available to the ISA bus due to operating system allocating.

DMA AND BUS MASTER SUPPORT

The VL-EPMs-21 does not support PC/104 DMA or bus mastering.

SPX Expansion Bus (J13)

Up to four serial peripheral expansion (SPX) devices can be attached to the VL-EPMs-21 at connector J13 using the VL-CBR-1401 or VL-CBR-1402 cable. The SPX interface provides the standard serial peripheral interface (SPI) signals: SCLK, MISO, and MOSI, as well as four chip selects, SS0# to SS3#, and an interrupt input, SINT#.

The +5V power provided to pins 1 and 14 of J13 is protected by a 1 amp fuse.

Table 16: SPX Connector Pinout

J13 Pin	Signal Name	Function
1	V5_0	+5V (protected)
2	SCLK	Serial Clock
3	GND	Ground
4	MISO	Serial Data In
5	GND	Ground
6	MOSI	Serial Data Out
7	GND	Ground
8	SS0#	Slave Select 0
9	SS1#	Slave Select 1
10	SS2#	Slave Select 2
11	SS3#	Slave Select 3
12	GND	Ground
13	SINT#	Interrupt Input
14	V5_0	+5V (protected)

SPI is, in its simplest form, a three-wire serial bus. One signal is a Clock, driven only by the permanent Master device on-board. The others are Data In and Data Out with respect to the Master. The SPX implementation adds additional features, such as slave selects and an interrupt input to the Master. The Master device initiates all SPI transactions. A slave device responds when its slave select is asserted and it receives Clock pulses from the Master.

The SPI clock rate can be software configured to operate at speeds between 1 MHz and 8 MHz. Please note that since this clock is divided from a 33 MHz PCI clock, the actual generated frequencies are not discrete integer MHz frequencies. All four common SPI modes are supported through the use of clock polarity and clock idle state controls.

VERSALOGIC SPX EXPANSION MODULES

VersaLogic offers a number of SPX modules that provide a variety of standard functions, such as analog input, digital I/O, CANbus controller, and others. These are small boards (1.2" x 3.78") that can mount on the system stack, using SUMIT standoffs, (VL-HDW-105/106) or up to two feet away from the baseboard. For more information, contact VersaLogic at info@VersaLogic.com.

SPI REGISTERS

A set of control and data registers are available for SPI transactions. The following tables describe the SPI control registers (SPICONTROL and SPISTATUS) and data registers (SPIDATA3-0).

SPICONTROL (READ/WRITE) 1D8h

D7	D6	D5	D4	D3	D2	D1	D0
CPOL	CPHA	SPILEN1	SPILEN0	MAN_SS	SS2	SS1	SS0

Table 17: SPI Control Register Bit Assignments

Bit	Mnemonic	Description																																				
D7	CPOL	SPI Clock Polarity – Sets the SCLK idle state. 0 = SCLK idles low 1 = SCLK idles high																																				
D6	CPHA	SPI Clock Phase – Sets the SCLK edge on which valid data will be read. 0 = Data read on rising edge 1 = Data read on falling edge																																				
D5-D4	SPILEN	SPI Frame Length – Sets the SPI frame length. This selection works in manual and auto slave select modes. <table border="1"> <thead> <tr> <th>SPILEN1</th> <th>SPILEN0</th> <th>Frame Length</th> </tr> </thead> <tbody> <tr> <td>0</td> <td>0</td> <td>8-bit</td> </tr> <tr> <td>0</td> <td>1</td> <td>16-bit</td> </tr> <tr> <td>1</td> <td>0</td> <td>24-bit</td> </tr> <tr> <td>1</td> <td>1</td> <td>32-bit</td> </tr> </tbody> </table>	SPILEN1	SPILEN0	Frame Length	0	0	8-bit	0	1	16-bit	1	0	24-bit	1	1	32-bit																					
SPILEN1	SPILEN0	Frame Length																																				
0	0	8-bit																																				
0	1	16-bit																																				
1	0	24-bit																																				
1	1	32-bit																																				
D3	MAN_SS	SPI Manual Slave Select Mode – This bit determines whether the slave select lines are controlled through the user software or are automatically controlled by a write operation to SPIDATA3 (1DDh). If MAN_SS = 0, then the slave select operates automatically; if MAN_SS = 1, then the slave select line is controlled manually through SPICONTROL bits SS2, SS1, and SS0. 0 = Automatic, default 1 = Manual																																				
D2-D0	SS	SPI Slave Select – These bits select which slave select will be asserted. The SSx# pin on the base board will be directly controlled by these bits when MAN_SS = 1. <table border="1"> <thead> <tr> <th>SS2</th> <th>SS1</th> <th>SS0</th> <th>Slave Select</th> </tr> </thead> <tbody> <tr> <td>0</td> <td>0</td> <td>0</td> <td>None, port disabled</td> </tr> <tr> <td>0</td> <td>0</td> <td>1</td> <td>SPX Slave Select 0, J13 pin-8</td> </tr> <tr> <td>0</td> <td>1</td> <td>0</td> <td>SPX Slave Select 1, J13 pin-9</td> </tr> <tr> <td>0</td> <td>1</td> <td>1</td> <td>SPX Slave Select 2, J13 pin-10</td> </tr> <tr> <td>1</td> <td>0</td> <td>0</td> <td>SPX Slave Select 3, J13 pin-11</td> </tr> <tr> <td>1</td> <td>0</td> <td>1</td> <td>Test point, TP18</td> </tr> <tr> <td>1</td> <td>1</td> <td>0</td> <td>SUMIT Slave Select 5, J2 pin-16</td> </tr> <tr> <td>1</td> <td>1</td> <td>1</td> <td>SUMIT Slave Select 6, J2 pin-18</td> </tr> </tbody> </table>	SS2	SS1	SS0	Slave Select	0	0	0	None, port disabled	0	0	1	SPX Slave Select 0, J13 pin-8	0	1	0	SPX Slave Select 1, J13 pin-9	0	1	1	SPX Slave Select 2, J13 pin-10	1	0	0	SPX Slave Select 3, J13 pin-11	1	0	1	Test point, TP18	1	1	0	SUMIT Slave Select 5, J2 pin-16	1	1	1	SUMIT Slave Select 6, J2 pin-18
SS2	SS1	SS0	Slave Select																																			
0	0	0	None, port disabled																																			
0	0	1	SPX Slave Select 0, J13 pin-8																																			
0	1	0	SPX Slave Select 1, J13 pin-9																																			
0	1	1	SPX Slave Select 2, J13 pin-10																																			
1	0	0	SPX Slave Select 3, J13 pin-11																																			
1	0	1	Test point, TP18																																			
1	1	0	SUMIT Slave Select 5, J2 pin-16																																			
1	1	1	SUMIT Slave Select 6, J2 pin-18																																			

SPISTATUS (READ/WRITE) 1D9h

D7	D6	D5	D4	D3	D2	D1	D0
IRQSEL1	IRQSEL0	SPICLK1	SPICLK0	HW_IRQ_EN	LSBIT_1ST	HW_INT	BUSY

Table 18: SPI Control Register Assignments

Bit	Mnemonic	Description															
D7-D6	IRQSEL	<p>IRQ Select – These bits select which IRQ will be asserted when a hardware interrupt from a connected SPI device occurs. The HW_IRQ_EN bit must be set to enable SPI IRQ functionality.</p> <table border="1"> <tr> <td>IRQSEL1</td> <td>IRQSEL0</td> <td>IRQ</td> </tr> <tr> <td>0</td> <td>0</td> <td>IRQ3</td> </tr> <tr> <td>0</td> <td>1</td> <td>IRQ4</td> </tr> <tr> <td>1</td> <td>0</td> <td>IRQ5</td> </tr> <tr> <td>1</td> <td>1</td> <td>IRQ10</td> </tr> </table>	IRQSEL1	IRQSEL0	IRQ	0	0	IRQ3	0	1	IRQ4	1	0	IRQ5	1	1	IRQ10
IRQSEL1	IRQSEL0	IRQ															
0	0	IRQ3															
0	1	IRQ4															
1	0	IRQ5															
1	1	IRQ10															
D5-D4	SPICLK	<p>SPI SCLK Frequency – These bits set the SPI clock frequency.</p> <table border="1"> <tr> <td>SPICLK1</td> <td>SPICLK0</td> <td>Frequency</td> </tr> <tr> <td>0</td> <td>0</td> <td>1.042 MHz</td> </tr> <tr> <td>0</td> <td>1</td> <td>2.083 MHz</td> </tr> <tr> <td>1</td> <td>0</td> <td>4.167 MHz</td> </tr> <tr> <td>1</td> <td>1</td> <td>8.333 MHz</td> </tr> </table>	SPICLK1	SPICLK0	Frequency	0	0	1.042 MHz	0	1	2.083 MHz	1	0	4.167 MHz	1	1	8.333 MHz
SPICLK1	SPICLK0	Frequency															
0	0	1.042 MHz															
0	1	2.083 MHz															
1	0	4.167 MHz															
1	1	8.333 MHz															
D3	HW_IRQ_EN	<p>Hardware IRQ Enable – Enables or disables the use of the selected IRQ (IRQSEL) by an SPI device. 0 = SPI IRQ disabled, default 1 = SPI IRQ enabled</p> <p>Note: When an IRQ is enabled for the SPX bus, it has priority over the PC/104 bus. For example, if IRQ5 is routed to the PC/104 bus and enabled for the SPX bus, it will not be available to the PC/104 bus.</p>															
D2	LSBIT_1ST	<p>SPI Shift Direction – Controls the SPI shift direction of the SPIDATA registers. The direction can be shifted toward the least significant bit or the most significant bit. 0 = SPIDATA data is left-shifted (MSbit first), default 1 = SPIDATA data is right-shifted (LSbit first)</p>															
D1	HW_INT	<p>SPI Device Interrupt State – This bit is a status flag that indicates when the hardware SPX signal SINT# is asserted. 0 = Hardware interrupt on SINT# is deasserted 1 = Interrupt is present on SINT#</p> <p>This bit is read-only and is cleared when the SPI device’s interrupt is cleared.</p>															
D0	BUSY	<p>SPI Busy Flag – This bit is a status flag that indicates when an SPI transaction is underway. 0 = SPI bus idle 1 = SCLK is clocking data in and out of the SPIDATA registers</p> <p>This bit is read-only.</p>															

SPIDATA0 (READ/WRITE) 1DAh

D7	D6	D5	D4	D3	D2	D1	D0
MSbit							LSbit

SPIDATA1 (READ/WRITE) 1DBh

D7	D6	D5	D4	D3	D2	D1	D0
MSbit							LSbit

SPIDATA2 (READ/WRITE) 1DCh

D7	D6	D5	D4	D3	D2	D1	D0
MSbit							LSbit

SPIDATA3 (READ/WRITE) 1DDh

D7	D6	D5	D4	D3	D2	D1	D0
MSbit							LSbit

SPIDATA3 contains the most significant byte (MSB) of the SPI data word. A write to this register will initiate the SPI clock and, if the MAN_SS bit = 0, will also assert a slave select to begin an SPI bus transaction. Increasing frame sizes from 8-bit uses the lowest address for the least significant byte of the SPI data word; for example, the LSB of a 24-bit frame would be SPIDATA1. Data is sent according to the LSBIT_1ST setting. When LSBIT_1ST = 0, the MSbit of SPIDATA3 is sent first, and received data will be shifted into the LSbit of the selected frame size set in the SPILEN field. When LSBIT_1ST = 1, the LSbit of the selected frame size is sent first, and the received data will be shifted into the MSbit of SPIDATA3.

System Resources and Maps

Memory Map

The lower 1 MB memory map of the VL-EPMs-21 is arranged as shown in the following table. Various blocks of memory space between A0000h and FFFFFh are shadowed.

Table 19: Memory Map

Start Address	End Address	Comment
F0000h	FFFFFh	System BIOS Area
E0000h	FFFFFh	Extended System BIOS Area
C0000h	DFFFFh	Expansion Area
A0000h	BFFFFh	Legacy Video Area
00000h	9FFFFh	Legacy System Area

I/O Map

The following table lists the common I/O devices in the VL-EPMs-21 I/O map. User I/O devices should be added using care to avoid the devices already in the map as shown in the following table.

Table 20: On-Board I/O Devices

I/O Device	Standard I/O Addresses
Secondary Hard Drive Controller	170h – 177h
PLED and Product ID Register	1D0h
Revision and Type ID Register	1D1h
Video BIOS and GPI Register	1D2h
WDT and HWM Register	1D3h
PC/104 Block Enable Registers	1D4h – 1D5h
SPX Registers	1D8h – 1DDh
PC104 IRQ Enable Registers	1DEh – 1DFh
Primary Hard Drive Controller	1F0h – 1F7h
COM4 Serial Port Default	2E8h – 2EFh
COM2 Serial Port Default	2F8h – 2FFh
Secondary Hard Drive Controller	374h – 376h
COM3 Serial Port Default	3E8h – 3EFh
Primary Hard Drive Controller	3F4h – 3F6h
COM1 Serial Port Default	3F8h – 3FFh

Note: The I/O port traffic is always present on the LPC bus and care must be taken to avoid conflicts among on-board devices, PC/104, and SUMIT modules.

VersaLogic recommends that you perform an I/O port scan of the PC/104 bus under the operating system of choice to assist you in avoiding resource conflicts. The following table shows an example of a port scan of the VL-EPMs-21 under test, running DOS 6.22. This example is not necessarily an accurate description for the results under Windows, Linux, VxWorks, or other operating systems. Each system will be different depending on how the board is configured. Legacy IRQs should also be scanned.

Table 21: Example PC/104 I/O Port Scan

I/O Ports Not Present	I/O Ports Present
	0x080
0x081 – 0x0FF	
	0x100 – 0x16F
0x170 – 0x177	
	0x178 – 0x1CF
0x1D0 – 0x1FF	
	0x200 – 0x373
0x374 – 0x376	
	0x377 – 0x3AF
0x3B0 – 0x3BB	
	0x3BC – 0x3BF
0x3C0 – 0x3DF	
	0x3E0 – 0x3F3
0x3F4 – 0x3F6	
	0x3F7 – 0x4CF
0x4D0 – 0x4D1	
	0x4D2 – 0x4FF
0x500 – 0x53F	
	0x540 – 0xAFF

Conditions: All PC/104 I/O blocks enabled, all on-board serial ports disabled.

Interrupt Configuration

Table 22: Interrupt Configuration

● = default setting ○ = allowed setting

Source	IRQ															
	0	1	2	3	4	5	6	7	8	9	10	11	12	13	14	15
Timer 0	●															
Keyboard		●														
Slave PIC			●													
COM1				○	●	○	○	○								
COM2				●	○	○	○	○								
COM3				○	○	○	○	○								
COM4				○	○	○	○	○								
RTC									●							
Mouse													●			
Math Chip														●		
Pri. IDE															●	
ISA IRQ3				○												
ISA IRQ4					○											
ISA IRQ5						○										
ISA IRQ6							○									
ISA IRQ7								○								
ISA IRQ9										○						
ISA IRQ10											○					
ISA IRQ11												○				
ISA IRQ12													○			
ISA IRQ15																○
PCI INTA#											●	○				○
PCI INTB#											○	●				○
PCI INTC#											○	○				●
PCI INTD#											●	○				



PLED and Product ID Register

PLEDPC (Read/Write) 1D0h

D7	D6	D5	D4	D3	D2	D1	D0
PLED	PC6	PC5	PC4	PC3	PC2	PC1	PC0

Table 23: PLED and Product Code Register Bit Assignments

Bit	Mnemonic	Description																
D7	PLED	Light Emitting Diode — Controls the programmable LED on connector J7. 0 = Turns LED off 1 = Turns LED on																
D6-D0	PC	Product Code — These bits are hard-coded to represent the product type. The VL-EPMs-21 always reads as 0000011. Other codes are reserved for future products. <table border="0" style="width: 100%; border-collapse: collapse;"> <tr> <td style="text-align: center;">PC6</td> <td style="text-align: center;">PC5</td> <td style="text-align: center;">PC4</td> <td style="text-align: center;">PC3</td> <td style="text-align: center;">PC2</td> <td style="text-align: center;">PC1</td> <td style="text-align: center;">PC0</td> <td style="text-align: right;">Product Code</td> </tr> <tr> <td style="text-align: center;">0</td> <td style="text-align: center;">0</td> <td style="text-align: center;">0</td> <td style="text-align: center;">0</td> <td style="text-align: center;">0</td> <td style="text-align: center;">1</td> <td style="text-align: center;">1</td> <td style="text-align: right;">VL-EPMs-21</td> </tr> </table> These bits are read-only.	PC6	PC5	PC4	PC3	PC2	PC1	PC0	Product Code	0	0	0	0	0	1	1	VL-EPMs-21
PC6	PC5	PC4	PC3	PC2	PC1	PC0	Product Code											
0	0	0	0	0	1	1	VL-EPMs-21											

Revision and Type Register

REVTYP (Read Only) 1D1h

D7	D6	D5	D4	D3	D2	D1	D0
PR4	PR3	PR2	PR1	PR0	TEMP	CUSTOM	BETA

This register is used to indicate the revision level of the VL-EPMs-21 and PLD firmware.

Table 24: Revision and Type Register Bit Assignments

Bit	Mnemonic	Description																								
D7-D3	PR	<p>PLD Revision Code — These bits are hard-coded and represent the CPLD revision.</p> <table border="1"> <thead> <tr> <th>PR4</th> <th>PR3</th> <th>PR2</th> <th>PR1</th> <th>PR0</th> <th>Revision</th> </tr> </thead> <tbody> <tr> <td>0</td> <td>0</td> <td>0</td> <td>0</td> <td>1</td> <td>Rev. 0.23 and 0.24</td> </tr> <tr> <td>0</td> <td>0</td> <td>0</td> <td>1</td> <td>0</td> <td>Rev. 0.31 and 1.00</td> </tr> <tr> <td>0</td> <td>0</td> <td>0</td> <td>1</td> <td>1</td> <td>Rev. 1.00</td> </tr> </tbody> </table> <p>These bits are read-only.</p>	PR4	PR3	PR2	PR1	PR0	Revision	0	0	0	0	1	Rev. 0.23 and 0.24	0	0	0	1	0	Rev. 0.31 and 1.00	0	0	0	1	1	Rev. 1.00
PR4	PR3	PR2	PR1	PR0	Revision																					
0	0	0	0	1	Rev. 0.23 and 0.24																					
0	0	0	1	0	Rev. 0.31 and 1.00																					
0	0	0	1	1	Rev. 1.00																					
D2	TEMP	<p>Temperature Rating — This bit indicates whether the EPMS-21 is rated for standard or extended temperature operation.</p> <p>0 = Standard temperature operation 1 = Extended temperature operation</p> <p>This bit is read-only.</p>																								
D1	CUSTOM	<p>PLD Class — This bit indicates whether the PLD code is standard or customized.</p> <p>0 = Standard PLD code 1 = Custom PLD code</p> <p>This bit is read-only.</p>																								
D0	BETA	<p>PLD Level — This bit indicates if the PLD code is at the beta or production level.</p> <p>0 = Production level PLD 1 = Beta level PLD</p> <p>This bit is read-only.</p>																								

GPI Jumper Register

GPI (Read Only) 1D2h

D7	D6	D5	D4	D3	D2	D1	D0
Reserved	Reserved	Reserved	Reserved	Reserved	Reserved	GPI_JMP	CMOSRST

Table 25: GPI Jumper Register Bit Assignments

Bit	Mnemonic	Description
D7-D2	Reserved	These bits have no function.
D1	GPI_JMP	General Purpose Input Jumper — Indicates the status of jumper V2[1-2]. 0 = Jumper out 1 = Jumper in This bit is read-only.
D0	CMOSRST	CMOS Reset — Indicates the status of jumper V2[3-4]. 0 = Jumper out, normal operation 1 = Jumper in, reset CMOS to factory defaults This bit is read-only.

Watchdog Timer Register

This register controls the behavior of the System Management Controller if the Super I/O hardware monitor or watchdog timer interrupt pins have been asserted. The actual conditions and setup of the hardware monitor and watchdog timer are configured in the SMSC SCH3114 and Intel SCH ACPI register interface.

WDTHWM (Read Only) 1D3h

D7	D6	D5	D4	D3	D2	D1	D0
WDT_ST	Reserved	WDT_MD1	WDT_MD0	HWM_INT_ST	Reserved	HWM_INT1	HWM_INT0

Table 26: Watchdog Timer Register Bit Assignments

Bit	Mnemonic	Description															
D7	WDT_ST	Watchdog Timer Status – This bit shows the condition of the GP60/nLED1/WDT pin (pin 94) on the SMSC3114. This pin can be configured as the watchdog timer flag to assert when a timeout has occurred. 0 = when the super I/O pin GP60/nLED1/WDT WDT = 1 1 = when the super I/O pin GP60/nLED1/WDT WDT = 0															
D6	Reserved	This bit has no function.															
D5-D4	WDT_MD	Watchdog Timer Mode – These bits set the behavior of the System Management Controller for the watchdog timer. On detecting a watchdog timeout, the System Mgt. Controller can perform a system-wide hardware reset (power is not removed), cold reset (power is shutdown for approx. 4 sec.), or can shut down the board. <table border="1"> <thead> <tr> <th>WDT_MD1</th> <th>WDT_MD0</th> <th>Mode</th> </tr> </thead> <tbody> <tr> <td>0</td> <td>0</td> <td>Do nothing</td> </tr> <tr> <td>0</td> <td>1</td> <td>Cold reset</td> </tr> <tr> <td>1</td> <td>0</td> <td>Power Cycle (3 sec. off time)</td> </tr> <tr> <td>1</td> <td>1</td> <td>Power off</td> </tr> </tbody> </table>	WDT_MD1	WDT_MD0	Mode	0	0	Do nothing	0	1	Cold reset	1	0	Power Cycle (3 sec. off time)	1	1	Power off
WDT_MD1	WDT_MD0	Mode															
0	0	Do nothing															
0	1	Cold reset															
1	0	Power Cycle (3 sec. off time)															
1	1	Power off															
D3	HWMINT_ST	Hardware Monitor Interrupt Status – This bit shows the condition of the nHWM_INT pin (pin 114) on the SMSC3114. This pin can be set up as the hardware monitor interrupt flag to assert when a configured fault condition occurs. 0 = when the super I/O pin, nHWM_INT = 1 1 = when the super I/O pin, nHWM_INT = 0															
D2	Reserved	This bit has no function.															
D1-D0	HWM_INT	Hardware Monitor Interrupt – These bits set the behavior of the System Management Controller for the hardware monitor. On detecting the nHWM_INT super I/O pin asserted, the System Management Controller can activate the thermal alarm to the US15WP SCH, perform a cold reset (power is shutdown for approx. 4 sec.), or can shut down the board. The thermal alarm can be used by ACPI software to tell the SCH to initiate configurable thermal control measures for the CPU and chipset I/O devices. <table border="1"> <thead> <tr> <th>HWM_INT1</th> <th>HWM_INT0</th> <th>INT</th> </tr> </thead> <tbody> <tr> <td>0</td> <td>0</td> <td>Do nothing</td> </tr> <tr> <td>0</td> <td>1</td> <td>Assert THRM#</td> </tr> <tr> <td>1</td> <td>0</td> <td>Cold reset</td> </tr> <tr> <td>1</td> <td>1</td> <td>Power off</td> </tr> </tbody> </table>	HWM_INT1	HWM_INT0	INT	0	0	Do nothing	0	1	Assert THRM#	1	0	Cold reset	1	1	Power off
HWM_INT1	HWM_INT0	INT															
0	0	Do nothing															
0	1	Assert THRM#															
1	0	Cold reset															
1	1	Power off															

PC/104 I/O Block Enable Registers

These registers are used to configure the LPC-to-PC/104 bus bridge. I/O port addresses are divided into blocks. Each block has its own enable bit that allows the I/O ports within the block to be forwarded from the LPC bus to the PC/104 bus and vice versa. These registers are set in CMOS Setup, but are accessible to user software for runtime configuration as well.

Enabling a particular I/O range block does not necessarily mean the full range will be available on the PC/104 bus if other devices are already consuming ports within the block range. See the "I/O Map" section.

PC104_BLK_EN0 (Read/Write) 1D4h

D7	D6	D5	D4	D3	D2	D1	D0
IOBLK_EN7	IOBLK_EN6	IOBLK_EN5	IOBLK_EN4	IOBLK_EN3	IOBLK_EN2	IOBLK_EN1	IOBLK_EN0

Table 27: PC/104 I/O Block Enable Register 0 Bit Assignments

Bit	Mnemonic	Description
D7	IOBLK_EN7	PC/104 I/O port range 0x378 - 0x3E7 enable 0 = disabled on PC/104 bus 1 = enabled on PC/104 bus
D6	IOBLK_EN6	PC/104 I/O port range 0x300 - 0x377 enable 0 = disabled on PC/104 bus 1 = enabled on PC/104 bus
D5	IOBLK_EN5	PC/104 I/O port range 0x2F8 - 0x2FF enable 0 = disabled on PC/104 bus 1 = enabled on PC/104 bus
D4	IOBLK_EN4	PC/104 I/O port range 0x2F0 - 0x2F7 enable 0 = disabled on PC/104 bus 1 = enabled on PC/104 bus
D3	IOBLK_EN3	PC/104 I/O port range 0x2E8 - 0x2EF enable 0 = disabled on PC/104 bus 1 = enabled on PC/104 bus
D2	IOBLK_EN2	PC/104 I/O port range 0x200 - 0x2E7 enable 0 = disabled on PC/104 bus 1 = enabled on PC/104 bus
D1	IOBLK_EN1	PC/104 I/O port range 0x100 - 0x1CF enable 0 = disabled on PC/104 bus 1 = enabled on PC/104 bus
D0	IOBLK_EN0	PC/104 I/O port 0x080 enable 0 = disabled on PC/104 bus 1 = enabled on PC/104 bus (default)

PC104_BLK_EN1 (Read/Write) 1D5h

D7	D6	D5	D4	D3	D2	D1	D0
Reserved	Reserved	Reserved	Reserved	IOBLK_EN11	IOBLK_EN10	IOBLK_EN9	IOBLK_EN8

Table 28: PC/104 I/O Block Enable Register 1 Bit Assignments

Bit	Mnemonic	Description
D7-D4	Reserved	These bits have no function.
D3	IOBLK_EN11	PC/104 I/O port range 0x400 - 0xAFF enable 0 = disabled on PC/104 bus 1 = enabled on PC/104 bus
D2	IOBLK_EN10	PC/104 I/O port range 0x3F8 - 0x3FF enable 0 = disabled on PC/104 bus 1 = enabled on PC/104 bus
D1	IOBLK_EN9	PC/104 I/O port range 0x3F0 - 0x3F7 enable 0 = disabled on PC/104 bus 1 = enabled on PC/104 bus
D0	IOBLK_EN8	PC/104 I/O port range 0x3E8 - 0x3EF enable 0 = disabled on PC/104 bus 1 = enabled on PC/104 bus

PC/104 Interrupt Request Enable Registers

These registers are used to configure PC/104 bus IRQs. Legacy IRQs on the Serial IRQ (LPC) bus each have an enable bit that allows the IRQ to be forwarded from the PC/104 bus to the Serial IRQ (LPC) bus. These registers are set in CMOS Setup, but are accessible to user software for runtime configuration as well.

Not all IRQs listed will necessarily be available for use on the PC/104 bus. Be sure to note which legacy IRQs are assigned by the operating system to other devices before enabling them for the PC/104 bus to avoid conflicts.

PC104_IRQ_EN0 (Read/Write) 1DEh

D7	D6	D5	D4	D3	D2	D1	D0
IRQ11_EN	IRQ10_EN	IRQ9_EN	IRQ7_EN	IRQ6_EN	IRQ5_EN	IRQ4_EN	IRQ3_EN

Table 29: PC/104 Interrupt Request Register 0 Bit Assignments

Bit	Mnemonic	Description
D7	IRQ11_EN	PC/104 IRQ11 enable 0 = disabled on PC/104 bus 1 = enabled on PC/104 bus
D6	IRQ10_EN	PC/104 IRQ10 enable 0 = disabled on PC/104 bus 1 = enabled on PC/104 bus
D5	IRQ9_EN	PC/104 IRQ9 enable 0 = disabled on PC/104 bus 1 = enabled on PC/104 bus
D4	IRQ7_EN	PC/104 IRQ7 enable 0 = disabled on PC/104 bus 1 = enabled on PC/104 bus
D3	IRQ6_EN	PC/104 IRQ6 enable 0 = disabled on PC/104 bus 1 = enabled on PC/104 bus
D2	IRQ5_EN	PC/104 IRQ5 enable 0 = disabled on PC/104 bus 1 = enabled on PC/104 bus
D1	IRQ4_EN	PC/104 IRQ4 enable 0 = disabled on PC/104 bus 1 = enabled on PC/104 bus
D0	IRQ3_EN	PC/104 IRQ3 enable 0 = disabled on PC/104 bus 1 = enabled on PC/104 bus

PC104_IRQ_EN1 (Read/Write) 1DFh

D7	D6	D5	D4	D3	D2	D1	D0
16BIT_EN	MEM_EN3	MEM_EN2	MEM_EN1	MEM_EN0	Reserved	IRQ15_EN	IRQ12_EN

Table 30: PC/104 Interrupt Request Register 1 Bit Assignments

Bit	Mnemonic	Description
D7	16BIT_EN	PC/104 16 bit I/O cycle enable – This bit controls 16bit I/O cycles on the PC/104 bus. When enabled, the bridge expects two consecutive 8-bit cycles from the LPC bus before forwarding the data to the PC/104 bus as a single 16-bit cycle. 0 = all I/O cycles are 8-bit on PC/104 bus 1 = 16-bit I/O cycles enabled on PC/104 bus
D6	MEM_EN3	ISA Memory Access – 16 KB ISA memory window 0x000DC000 to 0x000DFFFF forwarded to 0xFFD0C000 to 0xFFD0FFFF. 0 = disable on PC/104 bus 1 = enable on PC/104 bus
D5	MEM_EN2	ISA Memory Access – 16 KB ISA memory window 0x000D8000 to 0x000DBFFF forwarded to 0xFFD08000 to 0xFFD0BFFF. 0 = disable on PC/104 bus 1 = enable on PC/104 bus
D4	MEM_EN1	ISA Memory Access – 16 KB ISA memory window 0x000D4000 to 0x000D7FFF forwarded to 0xFFD04000 to 0xFFD07FFF. 0 = disable on PC/104 bus 1 = enable on PC/104 bus
D3	MEM_EN0	ISA Memory Access – 16 KB ISA memory window 0x000D0000 to 0x000D3FFF forwarded to 0xFFD00000 to 0xFFD03FFF. 0 = disable on PC/104 bus 1 = enable on PC/104 bus
D2	Reserved	These bits have no function.
D1	IRQ15_EN	PC/104 IRQ15 enable 0 = disabled on PC/104 bus 1 = enabled on PC/104 bus
D0	IRQ12_EN	PC/104 IRQ12 enable 0 = disabled on PC/104 bus 1 = enabled on PC/104 bus

Appendix A – References



PC Chipset
Intel Atom

[Intel Atom Datasheet](#)

Ethernet Controller
Intel 82574L Ethernet Controller

[Intel 82574L Datasheet](#)

PC/104 Interface

[PC/104 Specification](#)

SUMIT Interface

[SUMIT Specification](#)